

## GENERAL DESCRIPTION

The DS26503DK is an easy-to-use evaluation board for the DS26503 T1/E1/J1 BITS element. The DS26503DK is intended to be used as a stand-alone design kit. The board is complete with a DS26503 BITS element, transformers, termination resistors, FPGA-based configuration switches, and network connectors. Dallas' ChipView software gives point-and-click access to configuration and status registers from a Windows®-based PC. On-board LEDs indicate receive loss-of-signal and interrupt status as well as multiple clock and signal routing configurations.

*Windows is a registered trademark of Microsoft Corp.*

## DESIGN KIT CONTENTS

DS26503DK Design Kit  
CD\_ROM Including:

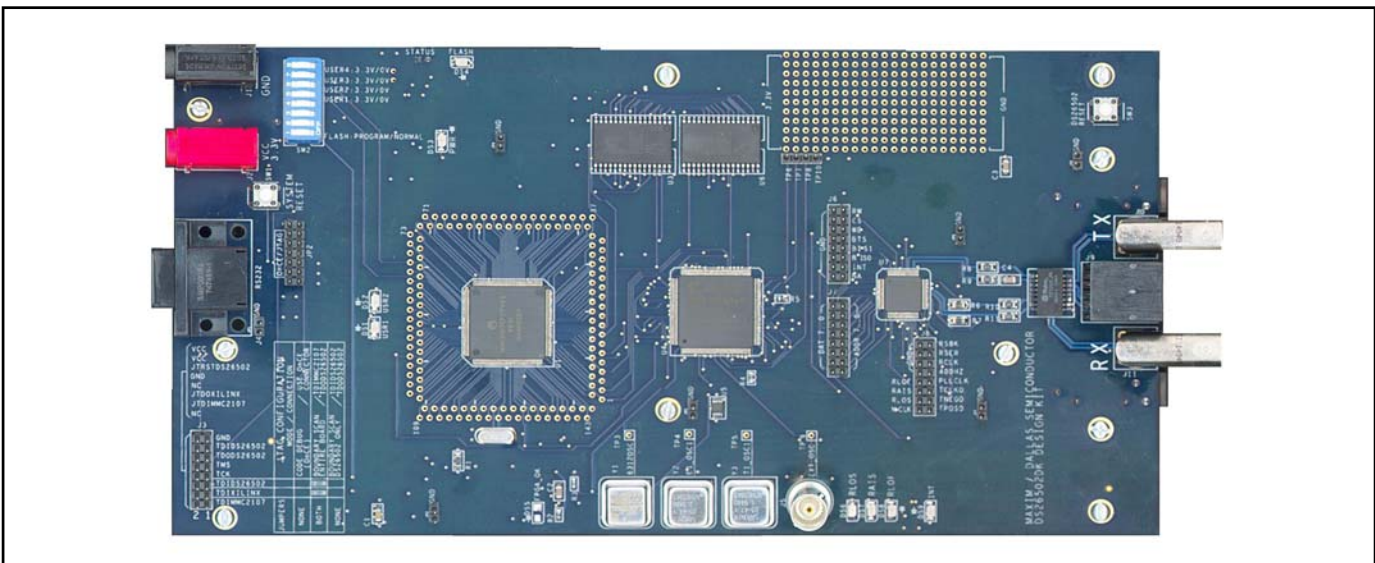
- ChipView Software
- DS26503DK Data Sheet
- DS26503 Data Sheet
- DS26503 Errata Sheet (if applicable)

## FEATURES

- **Expedites New Designs by Eliminating First-Pass Prototyping**
- **Demonstrates Key Functions of DS26503 BITS Element**
- **Includes DS26503 BITS Element, Transformers, BNC, and RJ48 Network Connectors and Termination Passives**
- **BNC Connections for 75Ω E1**
- **Bantam and RJ48 Connectors for 120Ω E1 and 100Ω T1**
- **Interface Directly to Windows-Based Computers**
- **ChipView Software Provides Point-and-Click Access to the DS26503 Register Set**
- **Software-Controlled (Register Mapped) Configuration Switches to Facilitate Clock and Signal Routing**
- **All Equipment-Side Framer Pins are Easily Accessible for External Data Source/Sink**
- **LEDs for Loss-of-Signal and Interrupt Status as well as Indications for Multiple Clock and Signal Routing Configurations**
- **Easy-to-Read Silkscreen Labels Identify the Signals Associated with All Connectors, Jumpers, and LEDs**

## ORDERING INFORMATION

PART	DESCRIPTION
DS26503DK	Stand-Alone Design Kit for DS26503

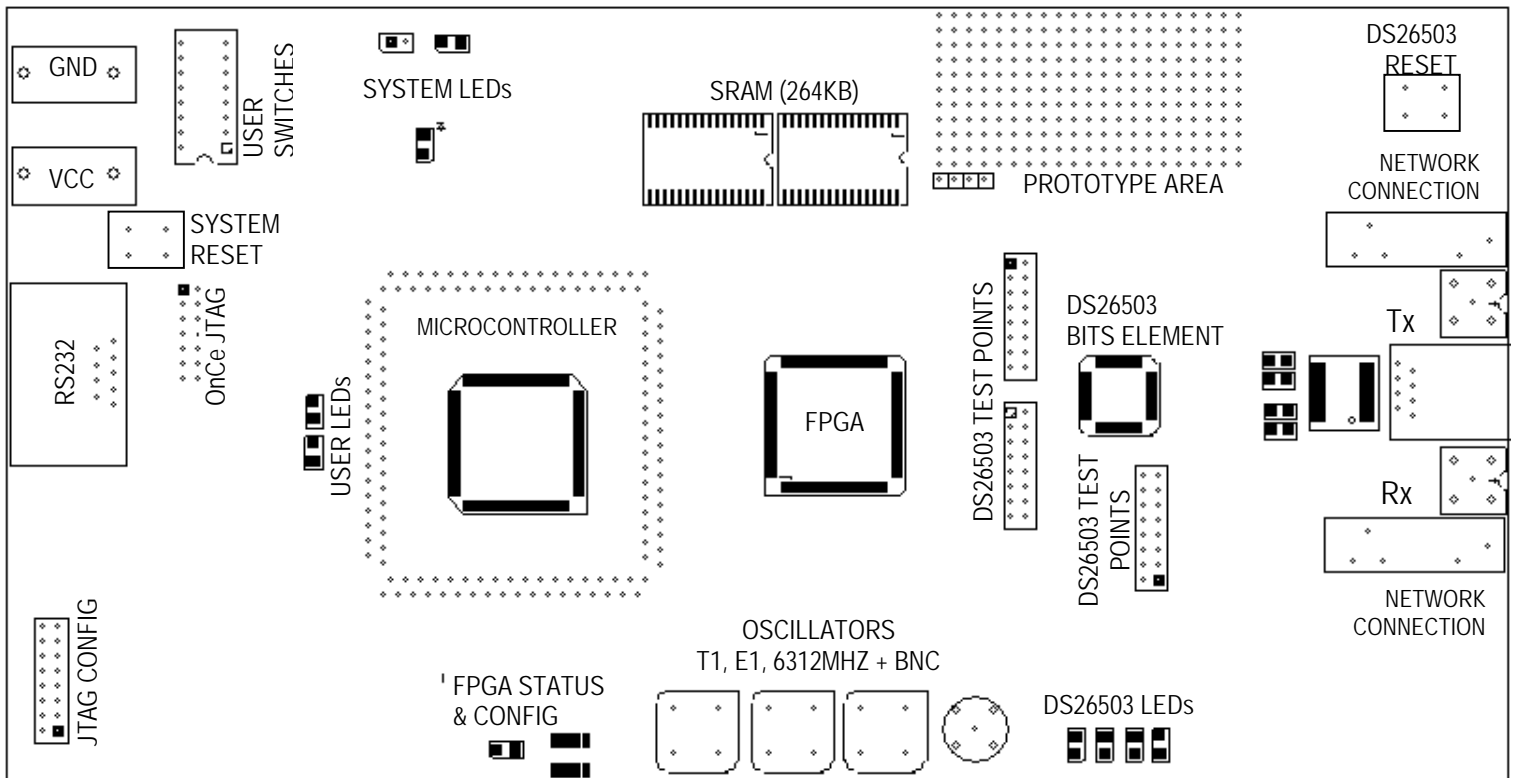


## COMPONENT LIST

DESIGNATION	QTY	DESCRIPTION	SUPPLIER	PART
C1, C4, C23, C51, C53	5	10 $\mu$ F 20%, 10V ceramic capacitors (1206)	Panasonic	ECJ-3YB1A106M
C2–C3, C6–C9, C11, C12, C14, C15, C17, C18, C20, C21, C25–C30, C32, C33, C35, C36, C38, C45–C50, C52, C54, C55, C57–C60, C62, C63, C68	41	1 $\mu$ F 10%, 16V ceramic capacitors (1206)	Panasonic	ECJ-3YB1C105K
C5, C10, C22, C24, C31, C34, C37, C39–C41, C43, C65–C67, C69, C70	16	0.1 $\mu$ F 20%, 16V X7R ceramic capacitors (0603)	AVX	0603YC104MAT
C13, C19, C42, C44, C64	5	10 $\mu$ F 20%, 16V tantalum capacitors (B case)	Panasonic	ECS-T1CX106R
C16, C56, C61	3	68 $\mu$ F 20%, 16V tantalum capacitors (D case)	Panasonic	ECS-T1CD686R
D1	1	1A 50V general-purpose silicon diode	General Semiconductor	1N4001
DS1, DS2, DS6–DS9	6	Red LEDs, SMD	Panasonic	LN1251C
DS3	1	Green LED, SMD	Panasonic	LN1351C
DS4	1	Amber LED, SMD	Panasonic	LN1451C
DS5	1	Green LED, SMD (Not populated)	Panasonic	LN1351C
DS10	1	Red/green LED, 5mm right-angle PCMT	Digi-Key	350-1055-ND
J1	1	Socket, banana plug, horizontal, black	Mouser Electronics	164-6218
J2	1	Socket, banana plug, horizontal, red	Mouser Electronics	164-6219
J3, J6–J8	4	Terminal strip, 16-pin, dual row, vertical	Samtec	TSW-108-07-T-D
J4	1	DB9 right-angle, long case connector	AMP	747459-1
J5	1	75 $\Omega$ vertical 5-pin BNC connector	Cambridge	CP-BNCPC-004
J9	1	RJ48 8-pin, single-port connector	MOLEX	15-43-8588
J10, J11	2	BNC connectors, 75 $\Omega$ right-angle 5-pin	Kruvand	UCBJR220
J12, J13	2	Bantam jack, right-angle connectors	Switchcraft	RTT34B02
JP1, JP3–JP8	7	100-mil, 2-position jumper	labstock	
JP2	1	14-pin header, remove 'missing pin'	labstock	
L1	1	Inductor, 22.0 $\mu$ H 2-pin SMT 20%	Coiltronics	UP1B-220
NP1, NP2	2	10pF 5%, 50V tall case ceramic capacitors (1206) Do not populate	Phycomp	1206CG100J9B200
R1, R8–R11	5	0 $\Omega$ 5%, 1/8W resistors (1206)	Panasonic	ERJ-8GEYJ0R00V
R2, R13, R23, R27, R43, R47, R67–R70	10	330 $\Omega$ 5%, 1/16W resistors (0603)	Panasonic	ERJ-3GEYJ331V

DESIGNATION	QTY	DESCRIPTION	SUPPLIER	PART
R3, R18–R20, R22, R25, R26, R28–R31, R33–R42, R44–R46, R49, R50, R53, R56, R59, R61, R62, R65, R72	33	10k $\Omega$ 5%, 1/16W resistors (0603)	Panasonic	ERJ-3GEYJ103V
R4, R5, R48, R51, R54, R55, R57, R58	8	30 $\Omega$ 5%, 1/16W resistors (0603)	Panasonic	ERJ-3GEYJ300V
R6, R7	2	61.9 $\Omega$ 1%, 1/8W resistors (1206)	Panasonic	ERJ-8ENF61R9V
R12	1	51 $\Omega$ 5%, 1/16W resistor (0603)	Panasonic	ERJ-3GEYJ510V
R14–R17, R21, R24, R63, R64, R66, R71	10	1.0k $\Omega$ 5%, 1/16W resistors (0603)	Panasonic	ERJ-3GEYJ102V
R32	1	1.0k $\Omega$ 5%, 1/10W resistor (0805)	Panasonic	ERJ-6GEYJ102V
R52	1	51.1 $\Omega$ 1%, 1/10W resistor (0805)	Panasonic	ERJ-6ENF51R1V
R60	1	1.0M $\Omega$ 5%, 1/16W resistor (0603)	Panasonic	ERJ-3GEYJ105V
SW1, SW3	2	Switch MOM 4-pin single pole	Panasonic	EVQPAE04M
SW2	1	Switch 8-position, 16-pin DIP, low profile	AMP	435668-7
T1	1	XFMR 16P SMT	Pulse	TX1099
TP1, TP2	2	Test point, 1 plate thru-hole	NA	NA
TP3–TP10	8	Test point, 1 plated hole DO NOT STUFF	NA	NA
U1	1	32-bit microcontroller (lab stock)	Avnet	MMC2107CFCV33
U3, U6	2	SRAM 5V, 1Mb SO (in lab stock)	Cypress	CY62128V
U4	1	Xilinx Spartan 2.5V FPGA, 20mm x 20mm 144-pin TQFP	Xilinx	XC2S50-5TQ144C
U5	1	8-Pin $\mu$ MAX/SO 2.5V or Adj	Maxim	MAX1792EUA25
U7	1	64-pin LQFP T1/E1/J1 BITS element (0°C to +70°C)	Dallas Semiconductor	DS26503L
U8, U9, U13	3	High-speed inverter	Fairchild	NC7SZ86
U10	1	High-speed buffer	Fairchild	NC7SZ86
U11	1	Dual RS-232 transceivers with 3.3V/5V internal capacitors	Maxim	MAX3233E
U12	1	1Mb flash-based config mem	Xilinx	XCF01SV020C
U14	1	8-pin SO step-up DC-DC converter 0.5A limit	Maxim	MAX1675EUA
X1	1	Low-profile 8.0MHz crystal	PEI	EC1-8.000M
Y1	1	Oscillator, crystal clock, 3.3V, 6.312MHz	SaRonix	NTH069A3-6.312
Y2	1	Oscillator, crystal clock, 3.3V, 2.048MHz	SaRonix	NTH039A3-2.0480
Y3	1	Oscillator, crystal clock, 3.3V, 1.544MHz	SaRonix	NTH039A3-1.5440

## BOARD FLOORPLAN



## ERRATA

The design kit errata refer to two different PC board revisions: the DS26502DK01A0 and DS26502DK01B0. The PC board revision code is found on the bottom of the board in the lower right corner.

### **DS26502DK01A0 Circuit Boards**

- RCLK did not get connected to FPGA. A jumper wire was run from RCLK to TP10 to provide the connection.
- Silkscreen for J3.4 is incorrect. Silkscreen reads “JTDIMMC2107” and should read “JTDOMMC2107.”
- RJ45 connector J4 does not use the standard pin numbers for connection to the transformer (and subsequently to TTIP/TRING and RTIP/RRING). This connector has been left unpopulated to avoid confusion. The schematic has been updated and is correct.
- DC blocking capacitor C4 on TTIP too small. A 10 $\mu$ F capacitor is recommended; a 1 $\mu$ F capacitor was populated.

### **DS26502DK01B0 Circuit Boards**

- RJ45 connector J4 does not use the standard pin numbers for connection to the transformer (and subsequently to TTIP/TRING and RTIP/RRING). This connector has been left unpopulated to avoid confusion. The schematic has been updated and is correct.

## ADDITIONS

The following signals have been connected to test points via the FPGA:

- TP6 is driven with data present at the TS\_8K\_4 pin of the DS26503.
- TP7 is driven with the 400Hz signal mentioned in the TS\_8Ksrc register (page 15).
- TP8 is driven with the 8KHz signal mentioned in the TS\_8Ksrc register (page 15).

## BASIC OPERATION

This design kit relies upon several supporting files, which are available for downloading on our website at [www.maxim-ic.com/telecom](http://www.maxim-ic.com/telecom). See the DS26503DK QuickView data sheet for these files.

### Hardware Configuration

- Supply 3.3V to the banana-plug receptacles marked GND and VCC\_3.3V.
- DIP switches are unused and can be in either the ON or OFF position with exception for the Flash programming switch, which should be OFF.
- From the Programs menu, launch the host application named ChipView.exe. Run the ChipView application. If the default installation options were used, click the Start button on the Windows toolbar and select Programs → ChipView → ChipView.

### General

- Upon power-up the RLOS and RLOF LEDs (red) will be lit, the INT LED (red) will not be lit, and Status LED (DS10 red/green bicolor) will be green.

### Quick Setup (Register View)

- The PC will load ChipView offering a choice among DEMO MODE, REGISTER VIEW, and TERMINAL MODE. Select Register View.
- The program will then request a definition file. Select DS26503DC\_FPGA.def. Through the 'links' section, this will also load DS26503.def.
- The Register View Screen will appear, showing the register names, acronyms, and values for the DS26503.
- Predefined Register settings for several functions are available as initialization files.
  - ini files are loaded by selecting the menu File→Reg ini File→Load ini File.
  - Load the ini file "CompositeClock.ini."
  - Load the ini file "DS26502FPGA\_2048Clks.ini," which sets the DS26503 in Intel nonmultiplexed mode with MCLK driven at 2.048MHz.
  - After loading the ini files the following may be observed:
    - The RLOS and RLOF LEDs extinguishes upon external loopback.
    - The part begins operating in composite clock mode.

### Miscellaneous

- Clock frequencies and certain pin bias levels are provided by a register-mapped FPGA.
- The definition file for this FPGA is named DS26503DC\_FPGA.def. [Table 2](#) shows the FPGA register definitions. A drop-down menu on the top of the screen allows for switching between definition files.
- All files referenced above are available for download as described in the section marked "BASIC OPERATION."

## ADDRESS MAP

Device address space (DS26503 and FPGA) begins at 0x81000000.

All offsets given below are relative to the beginning of the device address space (shown above).

**Table 1. Device Address Map**

OFFSET	DEVICE	DESCRIPTION
0x0000 to 0x0030	FPGA	Board identification and clock/signal routing
0x8000 to 0x80ff	DS26503 T1/E1/J1 BITS element	DS26503 T1/E1/J1 BITS element

Registers in the FPGA can be easily modified using the ChipView host-based user interface software along with the definition file named "DS26503DC\_FPGA.def".

## FPGA Register Map

**Table 2. FPGA Register Map**

OFFSET	REGISTER NAME	TYPE	DESCRIPTION
0x0000	BID	Read only	BOARD ID
0x0001	Unused	—	—
0x0002	XBIDH	Read only	HIGH NIBBLE EXTENDED BOARD ID
0x0003	XBIDM	Read only	MIDDLE NIBBLE EXTENDED BOARD ID
0x0004	XBIDL	Read only	LOW NIBBLE EXTENDED BOARD ID
0x0005	BREV	Read only	BOARD FAB REVISION
0x0006	AREV	Read only	BOARD ASSEMBLY REVISION
0x0007	PREV	Read only	PLD REVISION
0x0007	BUSMO	Read only	BUS MODE INFORMATION
0x09-0x10	Unused	—	—
0x0011	LEVEL1	Control	DS26503 pin settings (THZE, BTS-HBE, BIS1, BIS0)
0x0012	LEVEL2	Control	DS26503 pin settings (RMODE3, RMODE2, RMODE1, RMODE0)
0x0013	LEVEL3	Control	DS26503 pin settings (RSM, RITD)
0x0014	LEVEL4	Control	DS26503 pin settings (TSM, TITD)
0x0015	LEVEL5	Control	DS26503 pin settings (TCSS1, TCSS0)
0x0016	LEVEL6	Control	DS26503 pin settings (TMODE3, TMODE2, TMODE1, TMODE0)
0x0017	LEVEL7	Control	DS26503 pin settings (L2, L1, L0)
0x0018	LEVEL8	Control	DS26503 pin settings (TAIS, RLB)
0x0019	LEVEL9	Control	DS26503 pin settings (MPS1, MPS0)
0x001A	LEVEL10	Control	DS26503 pin settings (JAMUX, E1TS)
0x001B	Unused	—	—
0x001C	TSERsrc	Control	DS26503 TSER source selection
0x001D	MCLKsrc	Control	DS26503 MCLK source selection
0x001E	TCLK	Control	DS26503 TCLK source selection
0x001F	TS_8K	Control	DS26503 TS_8K source selection
0x0020	Unused	—	—
0x0021	Unused	—	—

## FPGA ID Registers

### BID: BOARD ID (Offset = 0x0000)

BID is read only with a value of 0xD.

### XBIDH: HIGH NIBBLE EXTENDED BOARD ID (Offset = 0x0002)

XBIDH is read only with a value of 0x0.

### XBIDM: MIDDLE NIBBLE EXTENDED BOARD ID (Offset = 0x0003)

XBIDM is read only with a value of 0x1.

### XBIDL: LOW NIBBLE EXTENDED BOARD ID (Offset = 0x0004)

XBIDL is read only with a value of 0x6.

### BREV: BOARD FAB REVISION (Offset = 0x0005).

BREV is read only and displays the current fab revision.

### AREV: BOARD ASSEMBLY REVISION (Offset = 0x0006)

AREV is read only and displays the current assembly revision.

### PREV: PLD REVISION (Offset = 0x0007)

PREV is read only and displays the current PLD firmware revision.

## FPGA Status Registers

Register Name: **BUSMO**

Register Description: **DS26503 Bus Mode**

Register Offset: **0x0011**

Bit #	7	6	5	4	3	2	1	0
Name	LevCPOL	LevCPHA	HW	SPI	INMUX	IMUX	MNMUX	MMUX
Default	—	—	—	—	—	—	—	—

The FPGA derives values in the BUSMO register from the levels present at the DS26503 pins.

**Bit 7: LevCPOL.** When set the DS26503 CPOL pin is high. Note: This pin is called A3/CPOL/L1 in parallel/serial/hardware modes.

**Bit 6: LevCPHA.** When set the DS26503 CPHA pin is high. Note: This pin is called A2/CPHA/L0 in parallel/serial/hardware modes.

**Bit 5: HW.** When set the DS26503 is in hardware mode.

**Bit 4: SPI.** When set the DS26503 is in SPI (3-wire) mode.

**Bit 3: INMUX.** When set the DS26503 is in Intel nonmultiplexed mode.

**Bit 2: IMUX.** When set the DS26503 is in Intel multiplexed mode.

**Bit 1: MNMUX.** When set the DS26503 is in Motorola nonmultiplexed mode.

**Bit 0: MMUX.** When set the DS26503 is in Motorola multiplexed mode.

## FPGA Control Registers

The FPGA register set consists of two types of registers: level setting and clock multiplexing. There are 10 registers for tri-state and level-control setting when in hardware mode. The level-setting registers are only valid when the DS26503 is in hardware mode (BIS1:0 = 11). When in nonhardware mode, the FPGA pins affected by the level registers are automatically either tri-stated, or assume an alternate function (e.g., they function as address databus pins or SPI pins). Exceptions are given with the register descriptions.

Register Name: **LEVEL1**

Register Description: **DS26503 Pin Settings (THZE, BTS, BIS1, BIS0)**

Register Offset: **0x0011**

Bit #	7	6	5	4	3	2	1	0
Name	THZEtri	THZE_Lev	BTStri	BTS_Lev	BIS1tri	BIS1_Lev	BIS0tri	BIS0_Lev
Default	0	0	0	0	0	0	0	1

**Note:** This register is only valid in ALL modes (many of the level registers are only valid in hardware mode).

### Bits 7 and 6: DS26503 THZE Tri-State and Level (THZEtri and THZE\_Lev)

- 00 = FPGA drives THZE with 0V
- 01 = FPGA drives THZE with 3.3V
- 1x = FPGA tri-states THZE pin

### Bit 5 and 4: DS26503 BTS Tri-State and Level (BTStri and BTS\_Lev)

- 00 = FPGA drives BTS with 0V
- 01 = FPGA drives BTS with 3.3V
- 1x = FPGA tri-states BTS pin

### Bits 3 and 2: DS26503 BIS1 Tri-State and Level (BIS1tri and BIS1\_Lev)

- 00 = FPGA drives BIS1 with 0V
- 01 = FPGA drives BIS1 with 3.3V
- 1x = FPGA tri-states BIS1 pin

### Bits 1 and 0: DS26503 BIS0 Tri-State and Level (BIS0tri and BIS0\_Lev)

- 00 = FPGA drives BIS0 with 0V
- 01 = FPGA drives BIS0 with 3.3V
- 1x = FPGA tri-states BIS0 pin



Register Name: **LEVEL2**

Register Description: **DS26503 Pin Settings (RMODE3, RMODE2, RMODE1, RMODE0)**

Register Offset: **0x0012**

Bit #	7	6	5	4	3	2	1	0
Name	RMODE3 tri	RMODE3 _Lev	RMODE2 tri	RMODE2 _Lev	RMODE1 tri	RMODE1 _Lev	RMODE0 tri	RMODE0 _Lev
Default	0	0	0	0	0	0	0	0

**Note:** This register is only valid in hardware mode ( $BIS[1:0] = 11$ ), and is ignored for other modes.

**Bits 7 and 6: DS26503 RMODE3 Tri-State and Level (RMODE3tri and RMODE3\_Lev)**

- 00 = FPGA drives RMODE3 with 0V
- 01 = FPGA drives RMODE3 with 3.3V
- 1x = FPGA tri-states RMODE3 pin

**Bits 5 and 4: DS26503 RMODE2 Tri-State and Level (RMODE2tri and RMODE2\_Lev)**

- 00 = FPGA drives RMODE2 with 0V
- 01 = FPGA drives RMODE2 with 3.3V
- 1x = FPGA tri-states RMODE2 pin

**Bits 3 and 2: DS26503 RMODE1 Tri-State and Level (RMODE1tri and RMODE1\_Lev)**

- 00 = FPGA drives RMODE1 with 0V
- 01 = FPGA drives RMODE1 with 3.3V
- 1x = FPGA tri-states RMODE1 pin

**Bits 1 and 0: DS26503 RMODE0 Tri-State and Level (RMODE0tri and RMODE0\_Lev)**

- 00 = FPGA drives RMODE0 with 0V
- 01 = FPGA drives RMODE0 with 3.3V
- 1x = FPGA tri-states RMODE0 pin

Register Name: **LEVEL3**

Register Description: **DS26503 Pin Settings (RSM, RITD)**

Register Offset: **0x0013**

Bit #	7	6	5	4	3	2	1	0
Name	—	—	RSMtri	RSM_Lev	—	—	RITDtri	RITD_Lev
Default	0	0	0	0	0	0	0	0

**Note:** This register is only valid in hardware mode ( $BIS[1:0] = 11$ ), and is ignored for other modes.

**Bits 5 and 4: DS26503 RSM Tri-State and Level (RSMtri and RSM\_Lev)**

- 00 = FPGA drives RSM with 0V
- 01 = FPGA drives RSM with 3.3V
- 1x = FPGA tri-states RSM pin

**Bits 1 and 0: DS26503 RITD Tri-State and Level (RITDtri and RITD\_Lev)**

- 00 = FPGA drives RITD with 0V
- 01 = FPGA drives RITD with 3.3V
- 1x = FPGA Tristates RITD pin

Register Name: **LEVEL4**

Register Description: **DS26503 Pin Settings (TSM, TITD)**

Register Offset: **0x0014**

Bit #	7	6	5	4	3	2	1	0
Name	—	—	TSMtri	TSM_Lev	—	—	TITDtri	TITD_Lev
Default	0	0	0	0	0	0	0	0

**Note:** This register is only valid in hardware mode ( $BIS[1:0] = 11$ ), and is ignored for other modes.

**Bits 5 and 4: DS26503 TSM Tri-State and Level (TSMtri and TSM\_Lev)**

00 = FPGA drives TSM with 0V

01 = FPGA drives TSM with 3.3V

1x = FPGA tri-states TSM pin

**Bits 1 and 0: DS26503 TITD Tri-State and Level (TITDtri and TITD\_Lev)**

00 = FPGA drives TITD with 0V

01 = FPGA drives TITD with 3.3V

1x = FPGA tri-states TITD pin

Register Name: **LEVEL5**

Register Description: **DS26503 Pin Settings (TCSS1, TCSS0)**

Register Offset: **0x0015**

Bit #	7	6	5	4	3	2	1	0
Name	—	—	TCSS1tri	TCSS1_Lev	—	—	TCSS0tri	TCSS0_Lev
Default	0	0	0	0	0	0	0	0

**Note:** This register is only valid in hardware mode ( $BIS[1:0] = 11$ ), and is ignored for other modes.

**Bits 5 and 4: DS26503 TCSS1 Tri-State and Level (TCSS1tri and TCSS1\_Lev)**

00 = FPGA drives with TCSS1 0V

01 = FPGA drives with TCSS1 3.3V

1x = FPGA tri-states TCSS1 pin

**Bits 1 and 0: DS26503 TCSS0 Tri-State and Level (TCSS0tri and TCSS0\_Lev)**

00 = FPGA drives TCSS0 with 0V

01 = FPGA drives TCSS0 with 3.3V

1x = FPGA tri-states TCSS0 pin

Register Name: **LEVEL6**

Register Description: **DS26503 Pin Settings (TMODE3, TMODE2, TMODE1, TMODE0)**

Register Offset: **0x0016**

Bit #	7	6	5	4	3	2	1	0
Name	TMODE3 tri	TMODE3 _Lev	TMODE2 tri	TMODE2 _Lev	TMODE1 tri	TMODE1 _Lev	TMODE0 tri	TMODE0 _Lev
Default	0	0	0	0	0	0	0	0

**Note:** This register is only valid in hardware mode ( $BIS[1:0] = 11$ ), and is ignored for other modes.

**Bits 7 and 6: DS26503 TMODE3 Tri-State and Level (TMODE3tri and TMODE3\_Lev)**

00 = FPGA drives TMODE3 with 0V

01 = FPGA drives TMODE3 with 3.3V

1x = FPGA tri-states TMODE3 pin

**Bits 5 and 4: DS26503 TMODE2 Tri-State and Level (TMODE2tri and TMODE2\_Lev)**

00 = FPGA drives TMODE2 with 0V

01 = FPGA drives TMODE2 with 3.3V

1x = FPGA tri-states TMODE2 pin

**Bits 3 and 2: DS26503 TMODE1 Tri-State and Level (TMODE1tri and TMODE1\_Lev)**

00 = FPGA drives TMODE1 with 0V

01 = FPGA drives TMODE1 with 3.3V

1x = FPGA tri-states TMODE1 pin

**Bits 1 and 0: DS26503 TMODE0 Tri-State and Level (TMODE0tri and TMODE0\_Lev)**

00 = FPGA drives TMODE0 with 0V

01 = FPGA drives TMODE0 with 3.3V

1x = FPGA tri-states TMODE0 pin

Register Name: **LEVEL7**

Register Description: **DS26503 Pin Settings (L2, L1, L0)**

Register Offset: **0x0017**

Bit #	7	6	5	4	3	2	1	0
Name	—	—	L2tri	L2_Lev	L1tri	L1_Lev	L0tri	L0_Lev
Default	0	0	0	0	0	0	0	0

**Note:** Settings for L2 are only valid in hardware mode ( $BIS[1:0] = 11$ ), and ignored for other modes. In serial mode ( $BIS[1:0] = 10$ ), L0 and L1 are used to set levels for CPHA and CPOL, respectively.

**Bits 5 and 4: DS26503 L2 Tri-State and Level (L2tri and L2\_Lev)**

- 00 = FPGA drives L2 with 0V
- 01 = FPGA drives L2 with 3.3V
- 1x = FPGA tri-states L2 pin

**Bits 3 and 2: DS26503 L1 Tri-State and Level (L1tri and L1\_Lev)**

- 00 = FPGA drives L1 with 0V
- 01 = FPGA drives L1 with 3.3V
- 1x = FPGA tri-states L1 pin

**Bits 1 and 0: DS26503 L0 Tri-State and Level (L0tri and L0\_Lev)**

- 00 = FPGA drives L0 with 0V
- 01 = FPGA drives L0 with 3.3V
- 1x = FPGA tri-states L0 pin

Register Name: **LEVEL8**

Register Description: **DS26503 Pin Settings (TAIS, RLB)**

Register Offset: **0x0018**

Bit #	7	6	5	4	3	2	1	0
Name	—	—	TAIS tri	TAIS_Lev	—	—	RLBtri	RLB_Lev
Default	0	0	0	0	0	0	0	0

**Note:** This register is only valid in hardware mode ( $BIS[1:0] = 11$ ), and is ignored for other modes.

**Bits 5 and 4: DS26503 TAIS Tri-State and Level (TAIS tri and TAIS\_Lev)**

- 00 = FPGA drives TAIS with 0V
- 01 = FPGA drives TAIS with 3.3V
- 1x = FPGA tri-states TAIS pin

**Bits 1 and 0: DS26503 RLB Tri-State and Level (RLBtri and RLB\_Lev)**

- 00 = FPGA drives RLB with 0V
- 01 = FPGA drives RLB with 3.3V
- 1x = FPGA tri-states RLB pin

Register Name: **LEVEL9**

Register Description: **DS26503 Pin Settings (MPS1, MPS0)**

Register Offset: **0x0019**

Bit #	7	6	5	4	3	2	1	0
Name	—	—	MPS1tri	MPS1_Lev	—	—	MPS0tri	MPS0_Lev
Default	0	0	0	0	0	0	0	0

**Bits 5 and 4: DS26503 MPS1 Tri-State and Level (MPS1tri and MPS1\_Lev)**

00 = FPGA drives MPS1 with 0V

01 = FPGA drives MPS1 with 3.3V

1x = FPGA tri-states MPS1 pin

**Bits 1 and 0: DS26503 MPS0 Tri-State and Level (MPS0tri and MPS0\_Lev)**

00 = FPGA drives MPS0 with 0V

01 = FPGA drives MPS0 with 3.3V

1x = FPGA tri-states MPS0 pin

Register Name: **LEVEL10**

Register Description: **DS26503 Pin Settings (JAMUX, E1TS)**

Register Offset: **0x000A**

Bit #	7	6	5	4	3	2	1	0
Name	—	—	JAMUXtri	JAMUX_Lev	—	—	E1Tstri	E1TS_Lev
Default	0	0	0	0	0	0	0	0

**Note:** This register is only valid in hardware mode ( $BIS[1:0] = 11$ ), and is ignored for other modes.

**Bits 5 and 4: DS26503 JAMUX Tri-State and Level (JAMUXtri and JAMUX\_Lev)**

00 = FPGA drives JAMUX with 0V

01 = FPGA drives JAMUX with 3.3V

1x = FPGA tri-states JAMUX pin

**Bits 1 and 0: DS26503 E1TS Tri-State and Level (E1Tstri and E1TS\_Lev)**

00 = FPGA drives E1TS with 0V

01 = FPGA drives E1TS with 3.3V

1x = FPGA tri-states E1TS pin

Register Name: **TSERsrc**

Register Description: **DS26503 TSER Pin Source**

Register Offset: **0x001C**

Bit #	7	6	5	4	3	2	1	0
Name	—	—	—	—	—	ZEROS	ONES	RSER
Default	0	0	0	0	0	0	1	0

**Note:** Only one bit in this register should be set at a time. Setting multiple bits tri-states the FPGA pin connected to TSER. Setting to 0 also tri-states this pin.

**Bit 2: ZEROS.** When set DS26503\_TSER ← 0.0V.

**Bit 1: ONES.** When set DS26503\_TSER ← 3.3V.

**Bit 0: RSER.** When set DS26503\_TSER ← DS26503\_RSER.

Register Name: **MCLKsrc**

Register Description: **DS26503 MCLK Pin Source**

Register Offset: **0x001D**

Bit #	7	6	5	4	3	2	1	0
Name	—	—	—	—	ZERO	EXT	T1	E1
Default	0	0	0	0	0	0	1	0

**Note:** Only one bit in this register should be set at a time. Setting multiple bits tri-states the FPGA pin connected to MCLK. Setting to 0 also tri-states this pin.

**Bit 3: ZERO.** When set DS26503\_MCLK ← 0.0V.

**Bit 2: EXT.** When set DS26503\_MCLK ← External\_Osc (BNC connector).

**Bit 1: T1.** When set DS26503\_MCLK ← T1\_OSC (1.544MHz).

**Bit 0: E1.** When set DS26503\_MCLK ← E1\_OSC (2.048MHz).

Register Name: **TCLKsrc**

Register Description: **DS26503 TCLK Pin Source**

Register Offset: **0x001E**

Bit #	7	6	5	4	3	2	1	0
Name	—	EXT	T1	E1	64KHZ	6312	PLL	RCLK
Default	0	0	1	0	0	0	0	0

**Note:** Only one bit in this register should be set at a time. Setting multiple bits tri-states the FPGA pin connected to TCLK. Setting to 0 also tri-states this pin.

**Bit 6: EXT.** When set DS26503\_TCLK ← External\_Osc (BNC connector).

**Bit 5: T1.** When set DS26503\_TCLK ← T1\_OSC (1.544MHz).

**Bit 4: E1.** When set DS26503\_TCLK ← E1\_OSC (2.048MHz).

**Bit 3: 64KHZ.** When set DS26503\_TCLK ← 64kHz clock.

**Bit 2: 6312.** When set DS26503\_TCLK ← 6312kHz clock.

**Bit 1: PLL.** When set DS26503\_TCLK ← DS26503\_PLL.

**Bit 0: RCLK.** When set DS26503\_TCLK ← DS26503\_RCLK.

Register Name: **TS\_8Ksrc**

Register Description: **DS26503 TS\_8K Pin Source**

Register Offset: **0x001F**

Bit #	7	6	5	4	3	2	1	0
Name	—	—	—	EXT	_8KHz	400HZ	400HZ_502	RS_8K
Default	0	0	0	0	0	0	1	0

**Note:** Only one bit in this register should be set at a time. Setting multiple bits tri-states the FPGA pin connected to TS\_8K. Setting to 0 also tri-states this pin.

**Bit 4: EXT.** When set DS26503\_TS\_8K ← External\_Osc (BNC connector).

**Bit 3: \_8KHz.** When set DS26503\_TS\_8K ← 8kHz (derived by FPGA).

**Bit 2: 400HZ.** When set DS26503\_TS\_8K ← 400Hz clock (derived by FPGA).

**Bit 1: 4KHZ\_502.** When set DS26503\_TS\_8K ← DS26503\_400hz.

**Bit 0: RS\_8K.** When set DS26503\_TS\_8K ← DS26503\_RS\_8K.

## DS26503 INFORMATION

For more information about the DS26503, consult the DS26503 data sheet available on our website at [www.maxim-ic.com/DS26503](http://www.maxim-ic.com/DS26503). Software downloads are also available for this design kit.

## DS26503DK INFORMATION

For more information about the DS26503DK, including software downloads, consult the DS26503DK data sheet available on our website at [www.maxim-ic.com/DS26503DK](http://www.maxim-ic.com/DS26503DK).

## TECHNICAL SUPPORT

For additional technical support, go to [www.maxim-ic.com/support](http://www.maxim-ic.com/support).

## SCHEMATICS

The DS26503DK schematics are featured in the following pages.

## DOCUMENT REVISION HISTORY

REVISION DATE	DESCRIPTION
110205	Initial DS26503DK data sheet release.
071006	Updated descriptions for FPGA Control Registers LEVEL1 to LEVEL10.
110106	Updated schematics.
031507	Corrected typo on Bit 0 of TSERsrc register Corrected typo on Bit 0 of TS_8Ksrc register

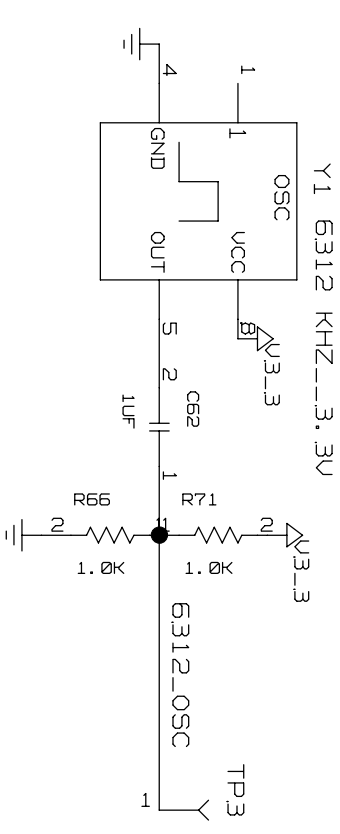
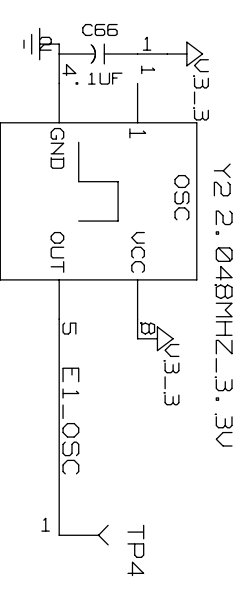
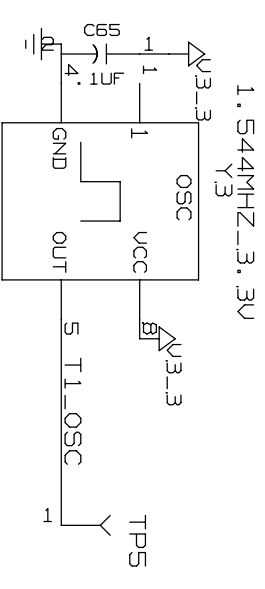
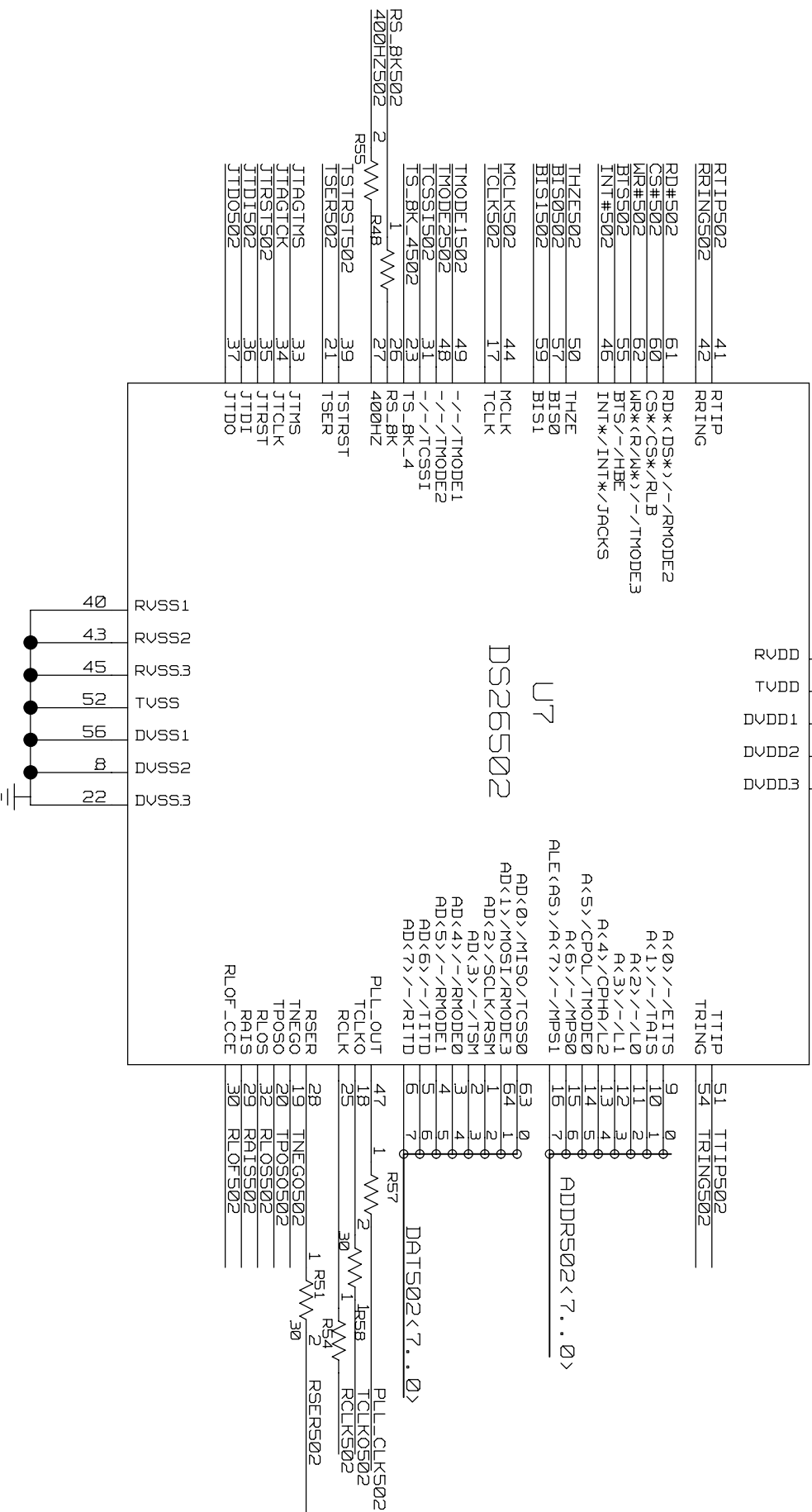


# DS26502 DESIGN KIT

1. CONTENTS
2. DS26502 AND OSCILLATORS
3. DS26502 LINE BUILD OUT
4. XILINX CLOCK MUX AND BUS CONVERSION
5. TEST POINTS FOR DS26502
6. MMC2107 PROCESSOR
7. PROCESSOR CONFIGURATION
8. XILINX CONFIGURATION AND CORE VOLTAGE
9. SERIAL PORTS AND JTAG CONFIGURATION
10. MEMORY
11. PROCESSOR TEST POINTS
12. FLASH VOLTAGE AND DECOUPLING
13. SIGNAL CROSS REFERENCE
14. PART CROSS REFERENCE AND REVISION HISTORY

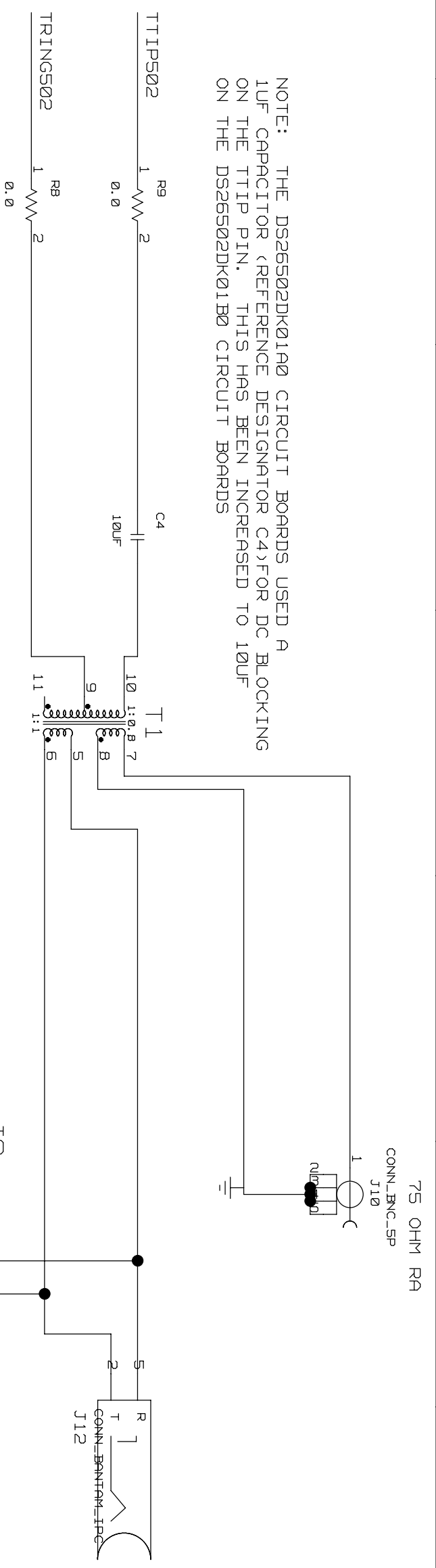
CONVERTED TO PDF: Fri Oct 20 10:08:32 2006

TITLE:	DS26502DK01B0	DATE:	041205
ENGINEER:	STEVE SCULLY	PAGE:	1 / 14

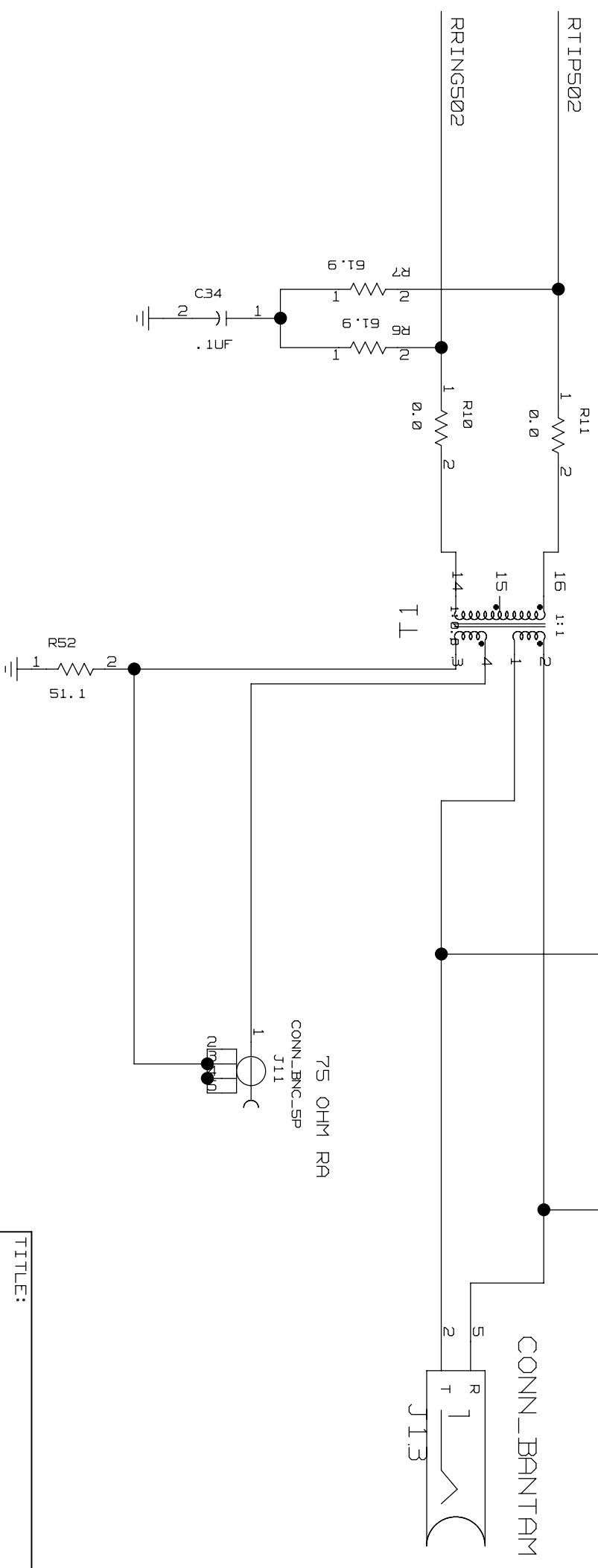


TITLE:	DS26502DK01B0	DATE:	041205
ENGINEER:	STEVE SCULLY	PAGE:	2 / 14

NOTE: THE DS26502DK01A0 CIRCUIT BOARDS USED A 1UF CAPACITOR (REFERENCE DESIGNATOR C4)FOR DC BLOCKING ON THE TTIP PIN. THIS HAS BEEN INCREASED TO 10UF ON THE DS26502DK01B0 CIRCUIT BOARDS

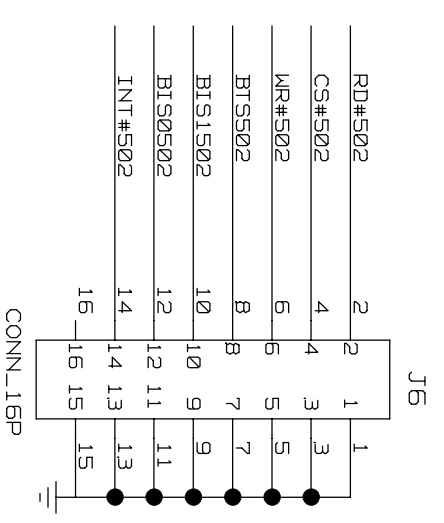
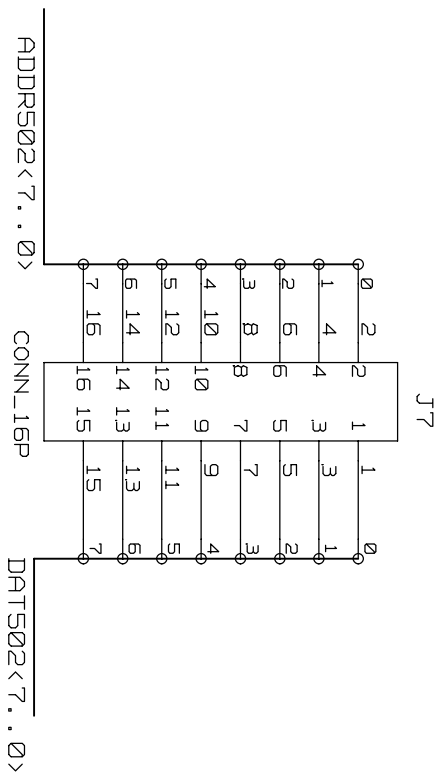
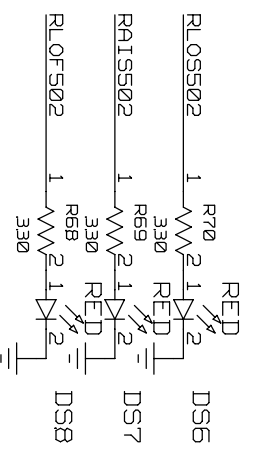
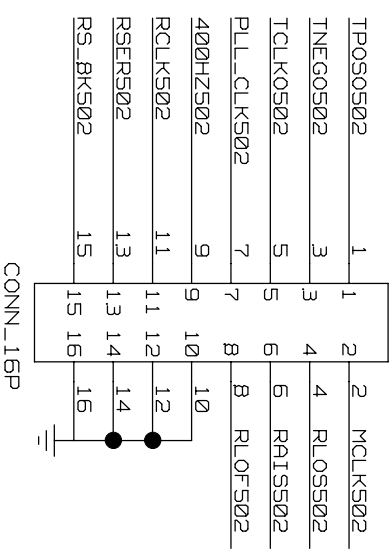
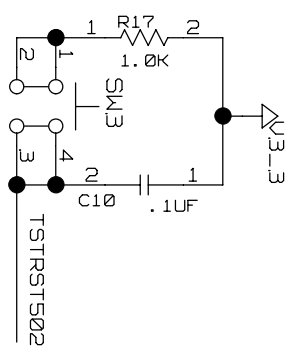


NOTE: BOARD REVISIONS DS26502DK01A0 AND DS26502DK01B0 DO NOT USE THE CORRECT PIN NUMBERS ON THE RJ48 CONNECTOR (REFERENCE DESIGNATOR J9). THE RJ48 CONNECTOR SHOULD BE REMOVED SINCE IT HAS NON-STANDARD CONNECTION. THE SCHEMATIC HAS BEEN UPDATED AND IS CORRECT.

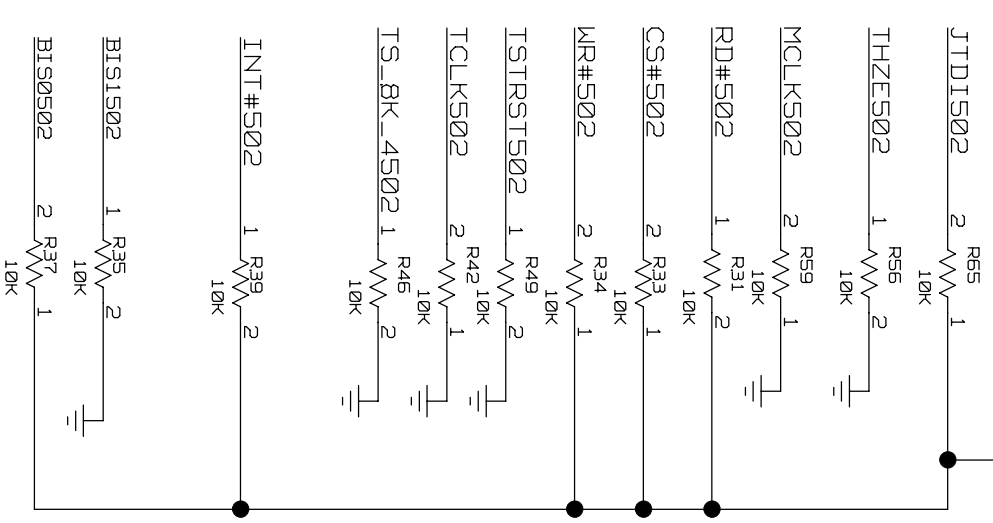


TITLE:	DS26502DK01B0	DATE:	041205
ENGINEER:	STEVE SCULLY	PAGE:	3 / 14

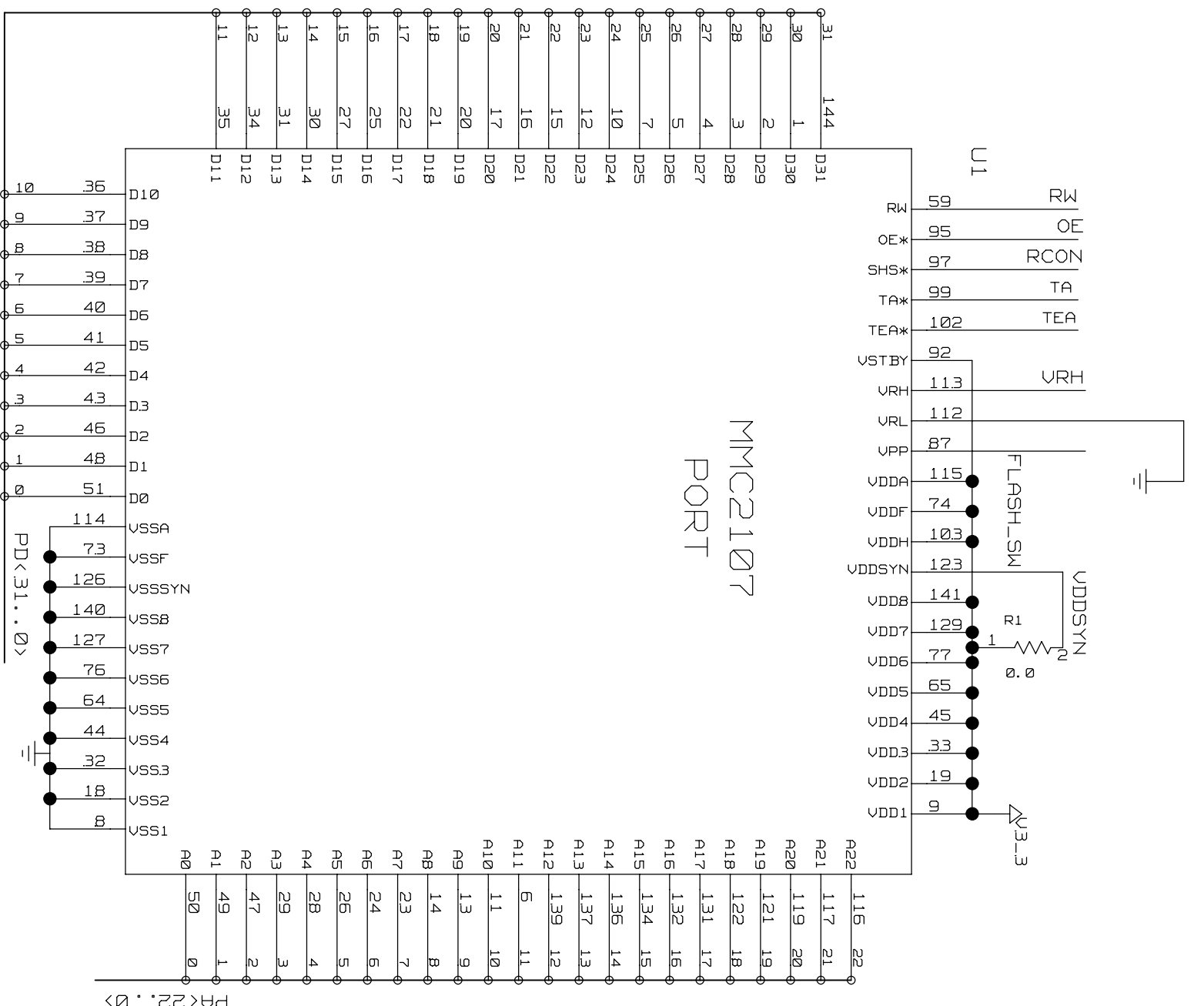
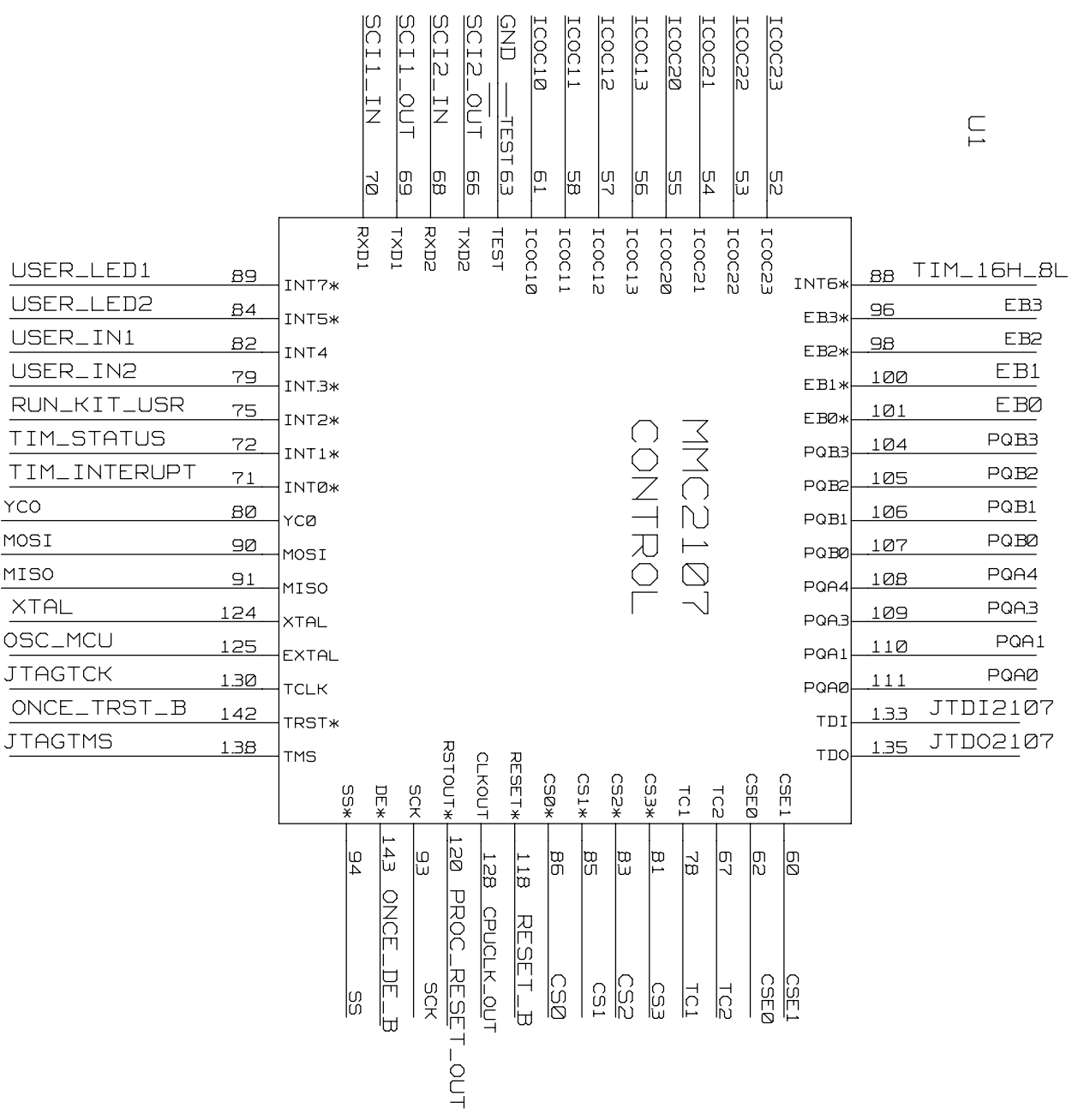




BIS1:0J : 01 = PARALLEL PORT MODE  
 DEFAULT MODE (NON-MULTIPLEXED)

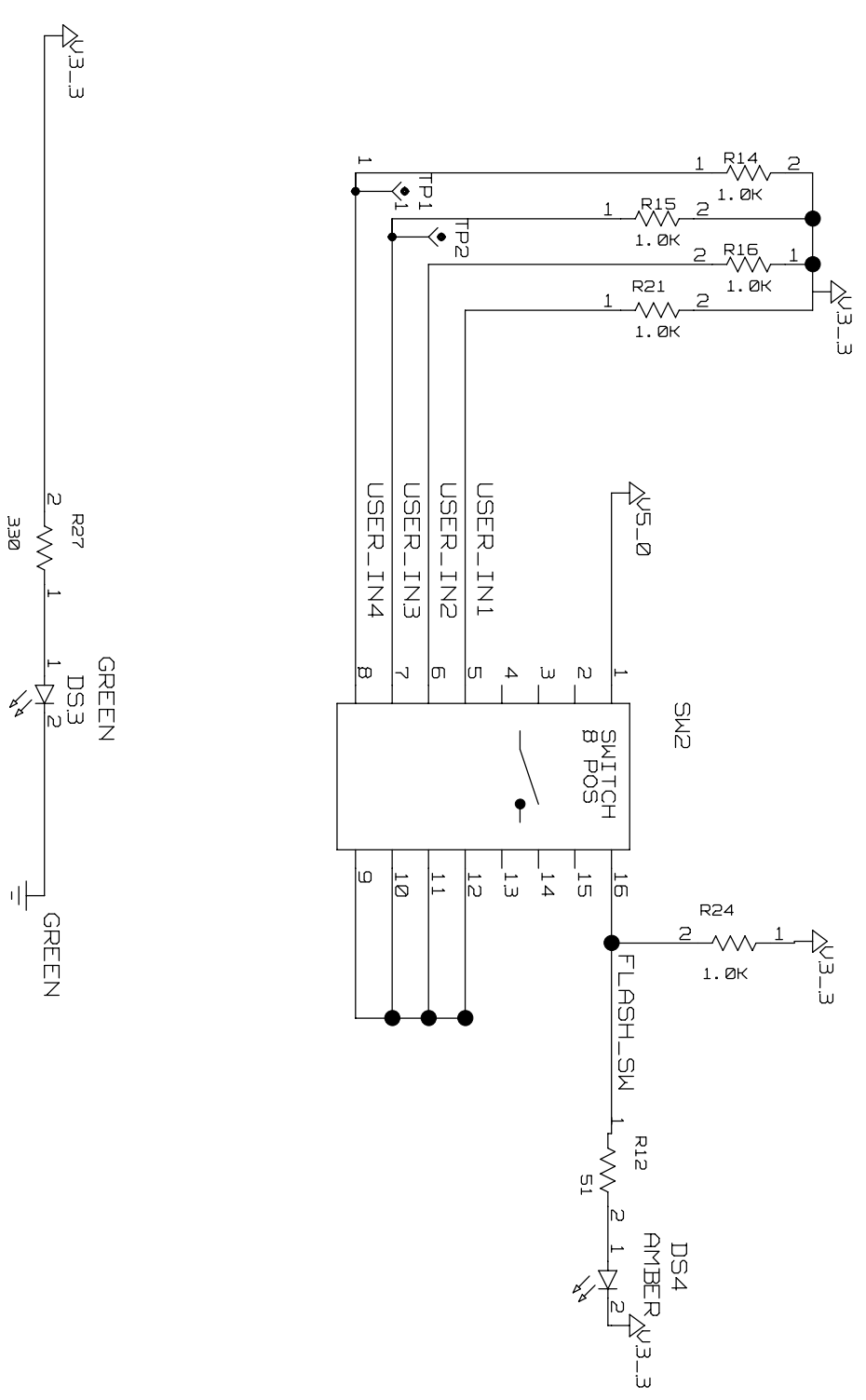
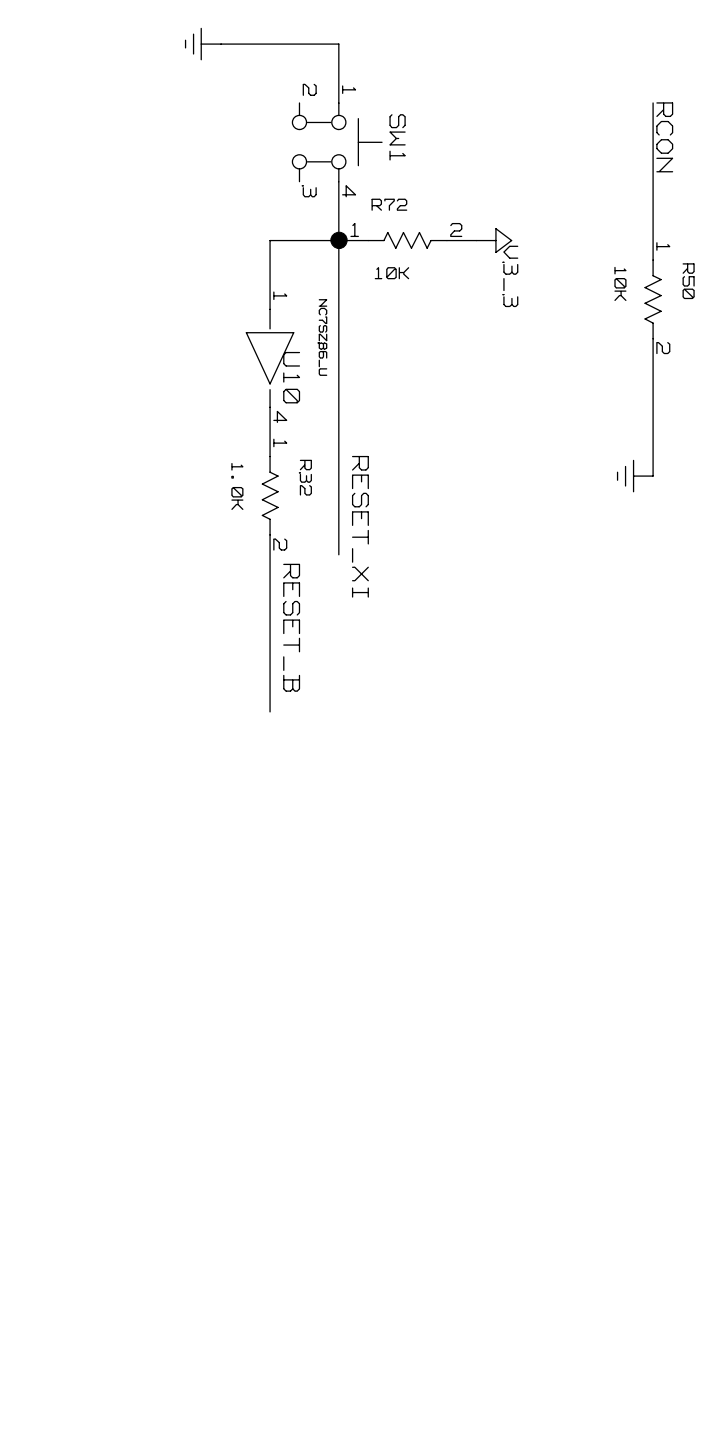
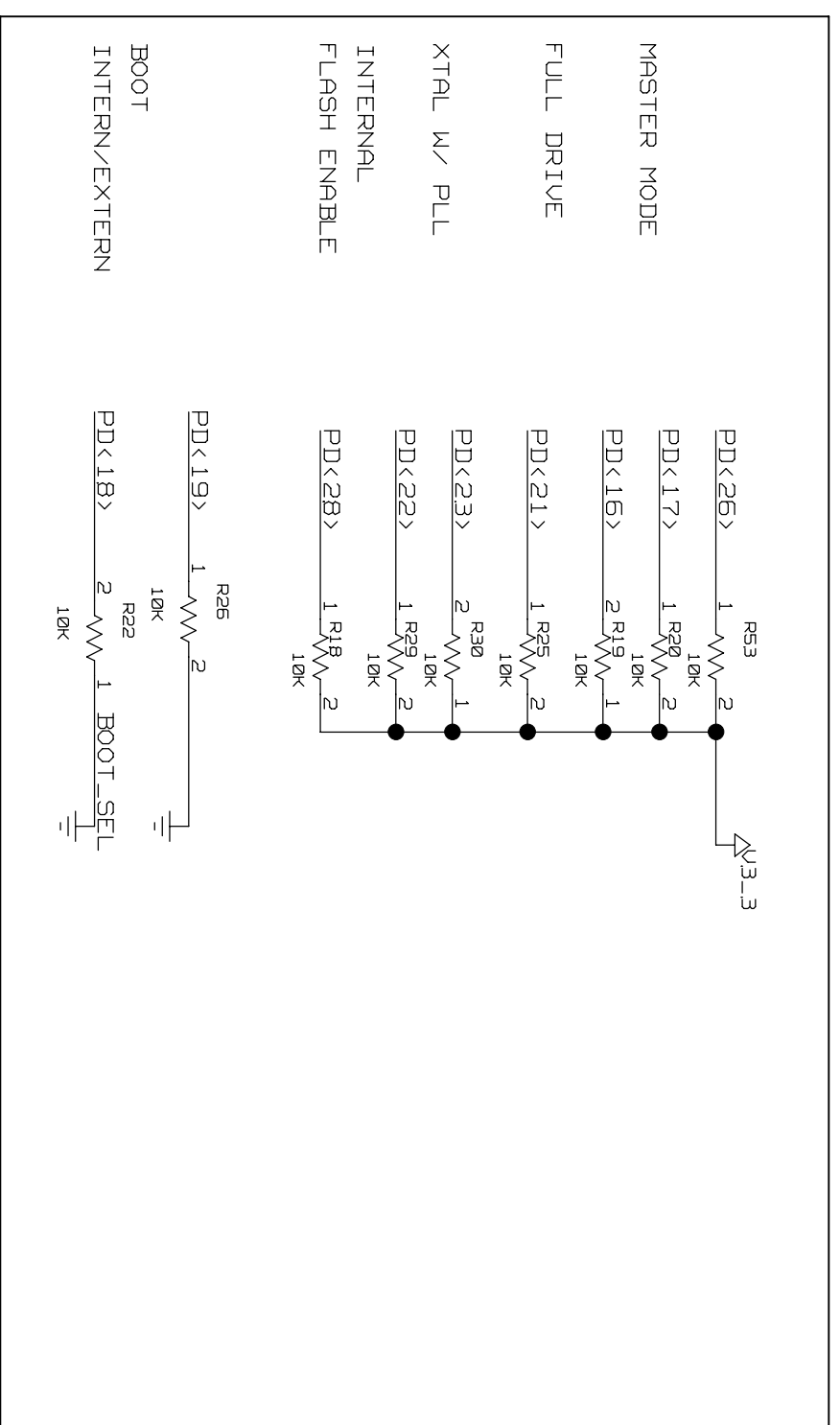


TITLE:	DS26502DK01B0	DATE:	041205
ENGINEER:	STEVE SCULLY	PAGE:	5 / 14



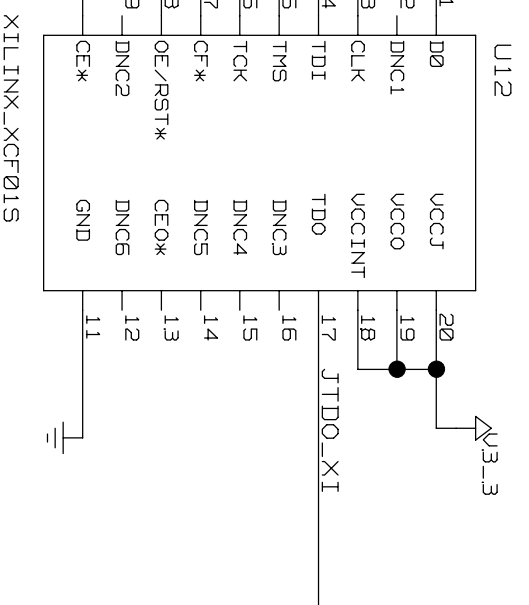
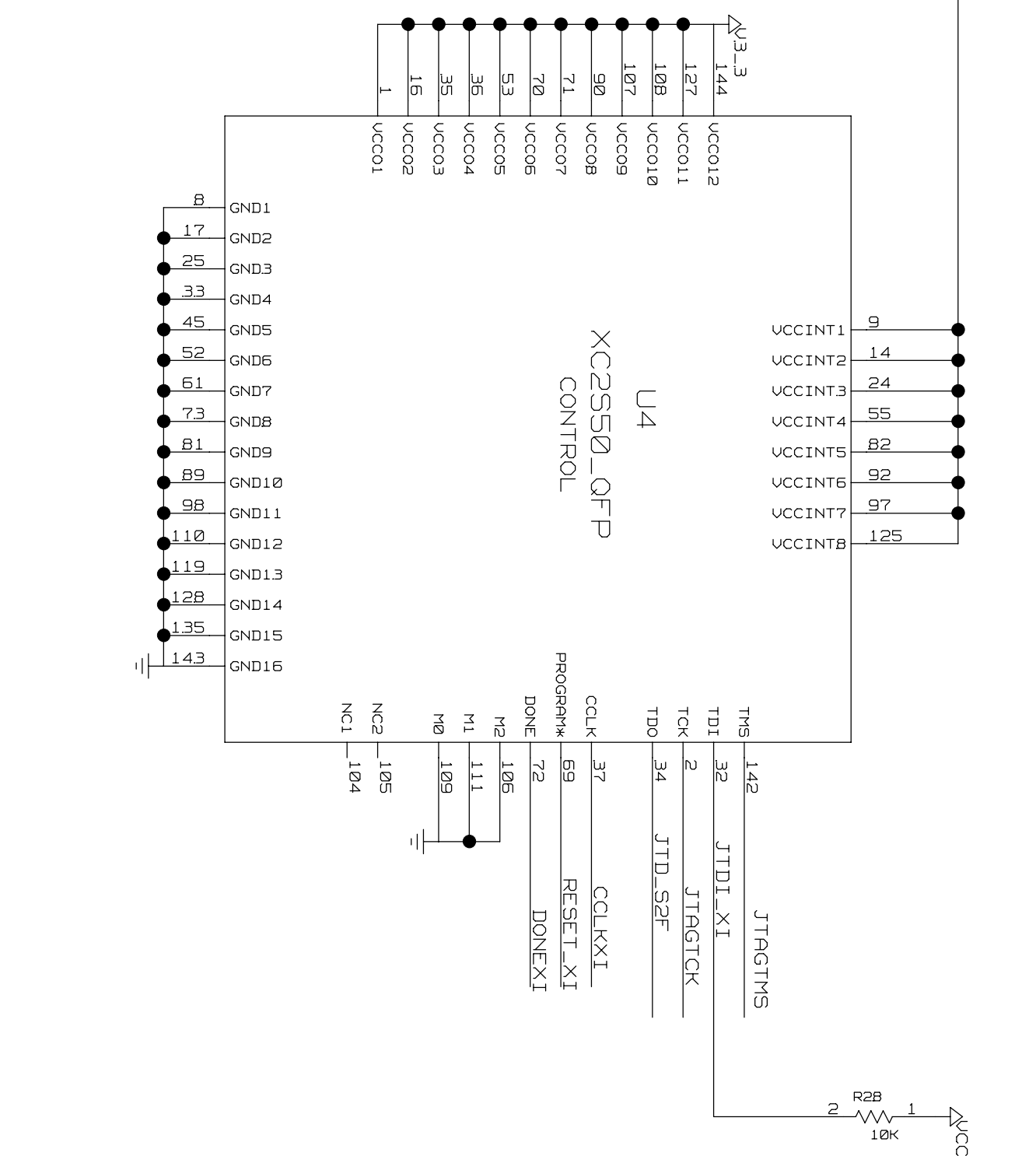
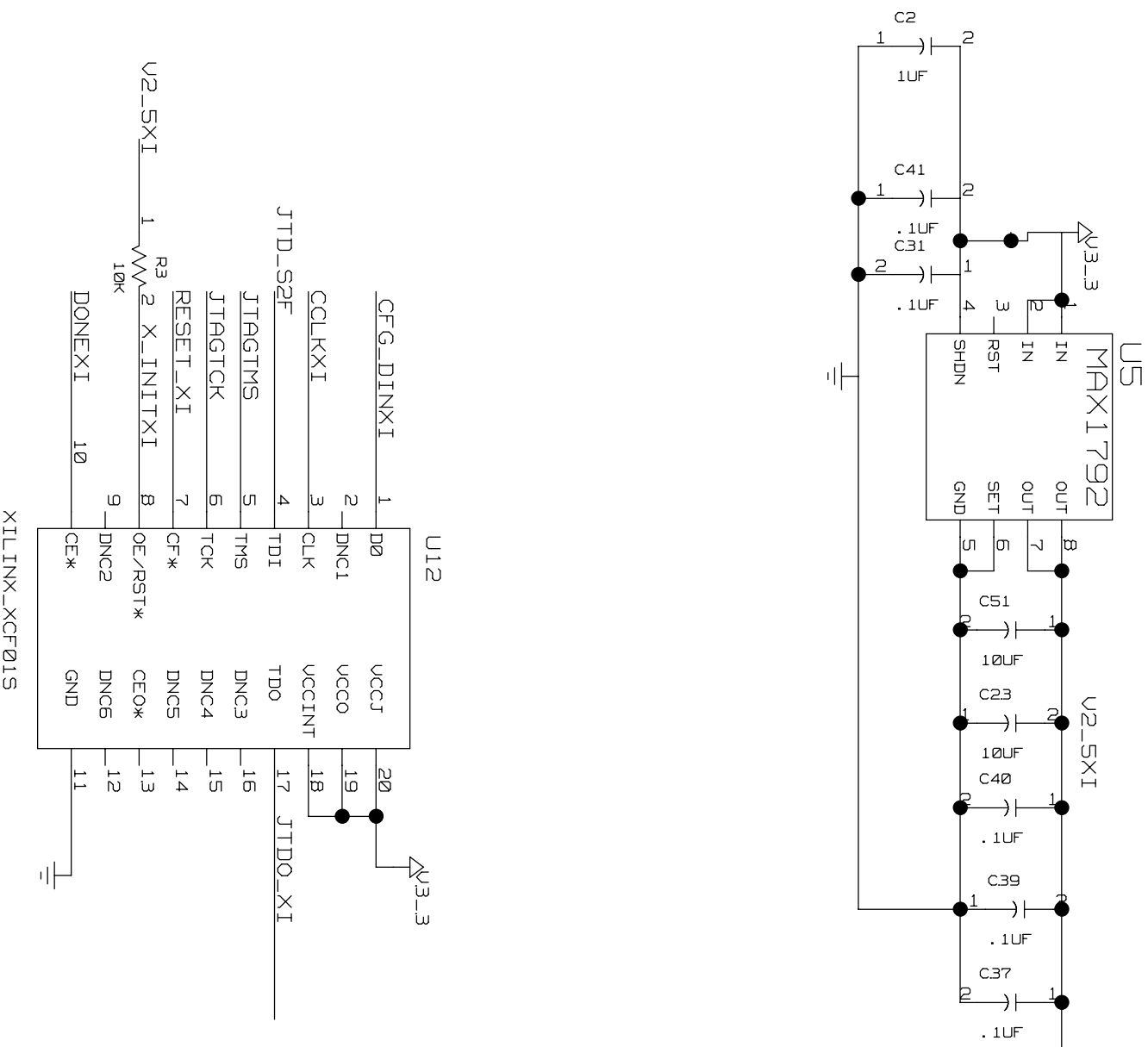
TITLE:	DS26502DK01B0	DATE:	041205
ENGINEER:	STEVE SCULLY	PAGE:	6 / 14

# RESET CONFIGURATION



## RESET AND CHIP CONFIGURATION

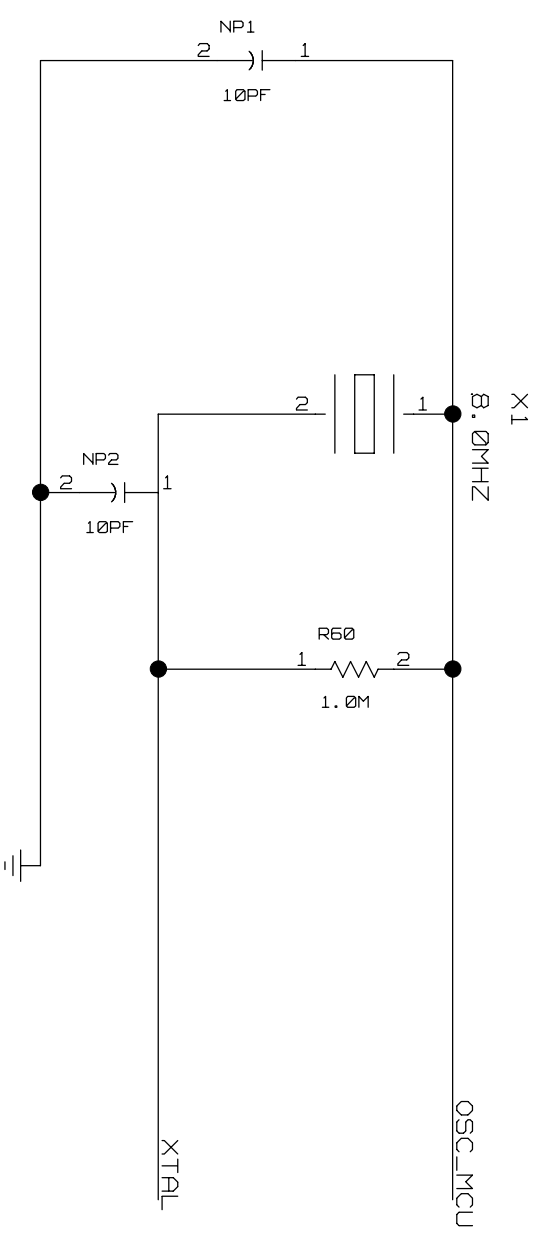
TITLE:	DS26502DK01B0	DATE:	041205
ENGINEER:	STEVE SCULLY	PAGE:	7 / 14



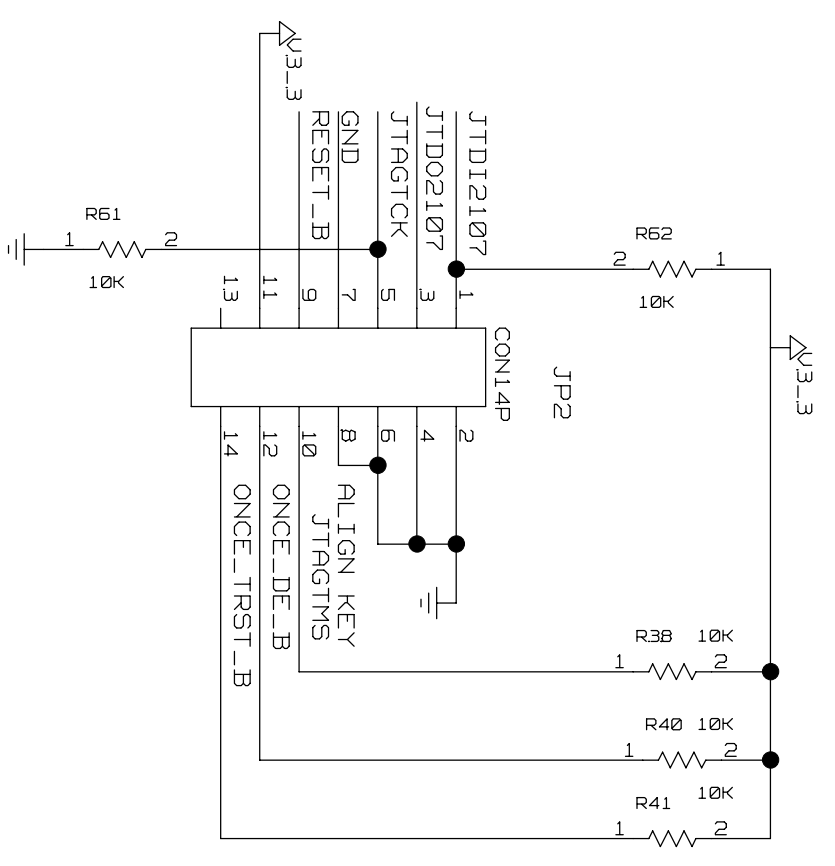
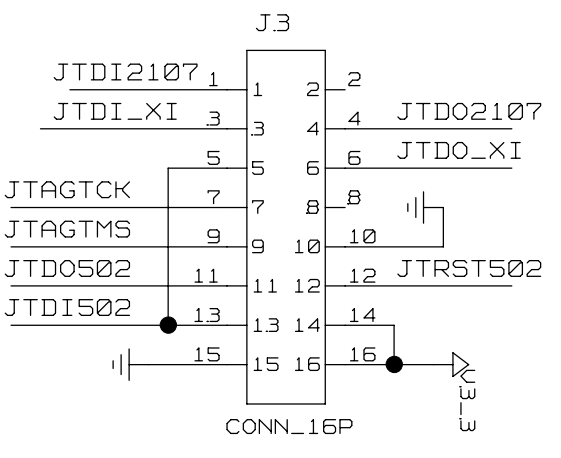
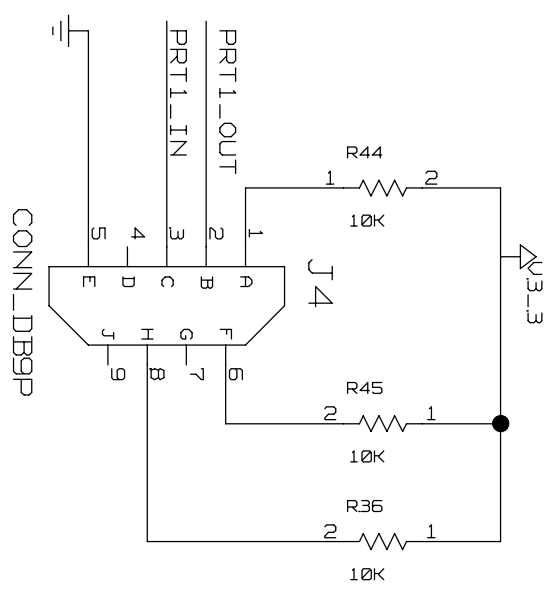
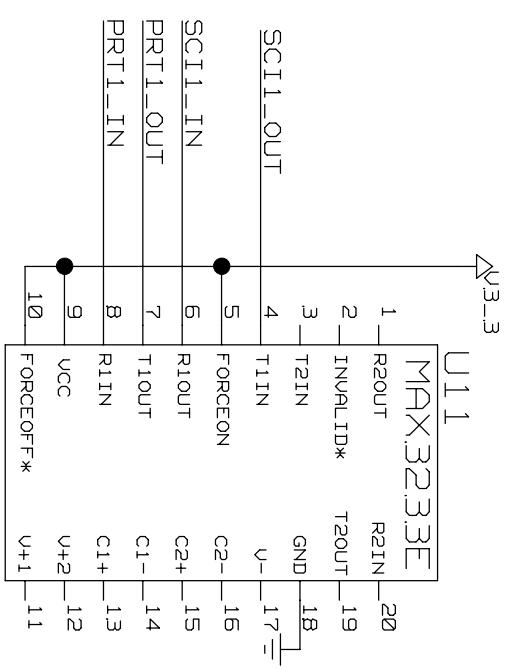
CLOCKS

TITLE:	DS26502DK01B0	DATE:	041205
ENGINEER:	STEVE SCULLY	PAGE:	8 / 14

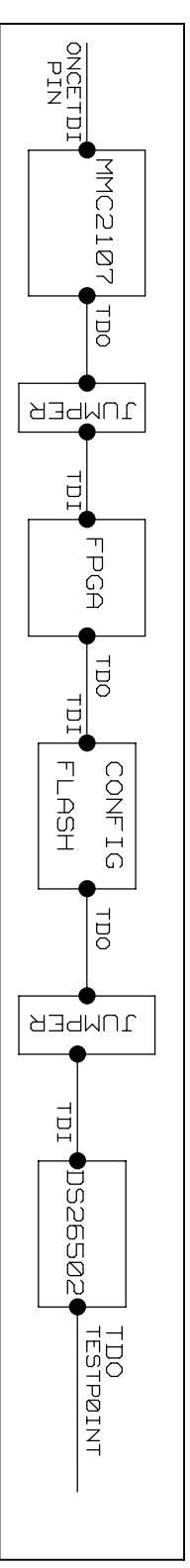




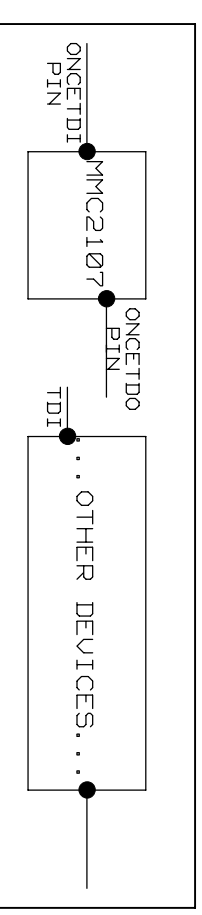
JTAG / ONCE  
DEBUG SELECTION



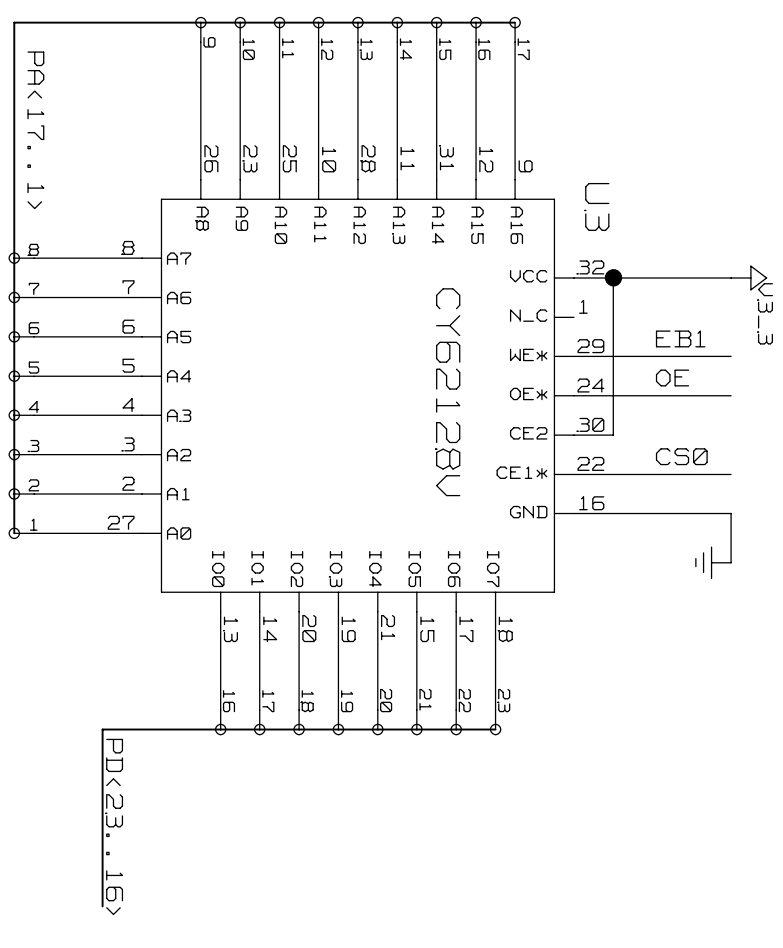
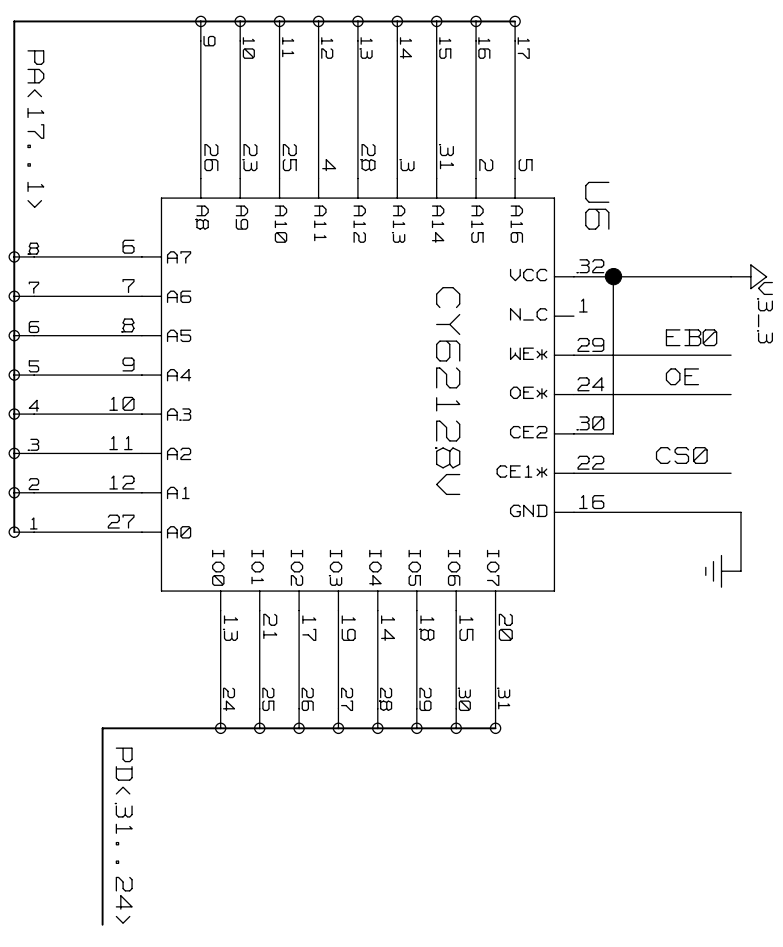
JTAG CONFIGURATION (BOUNDARY SCAN)



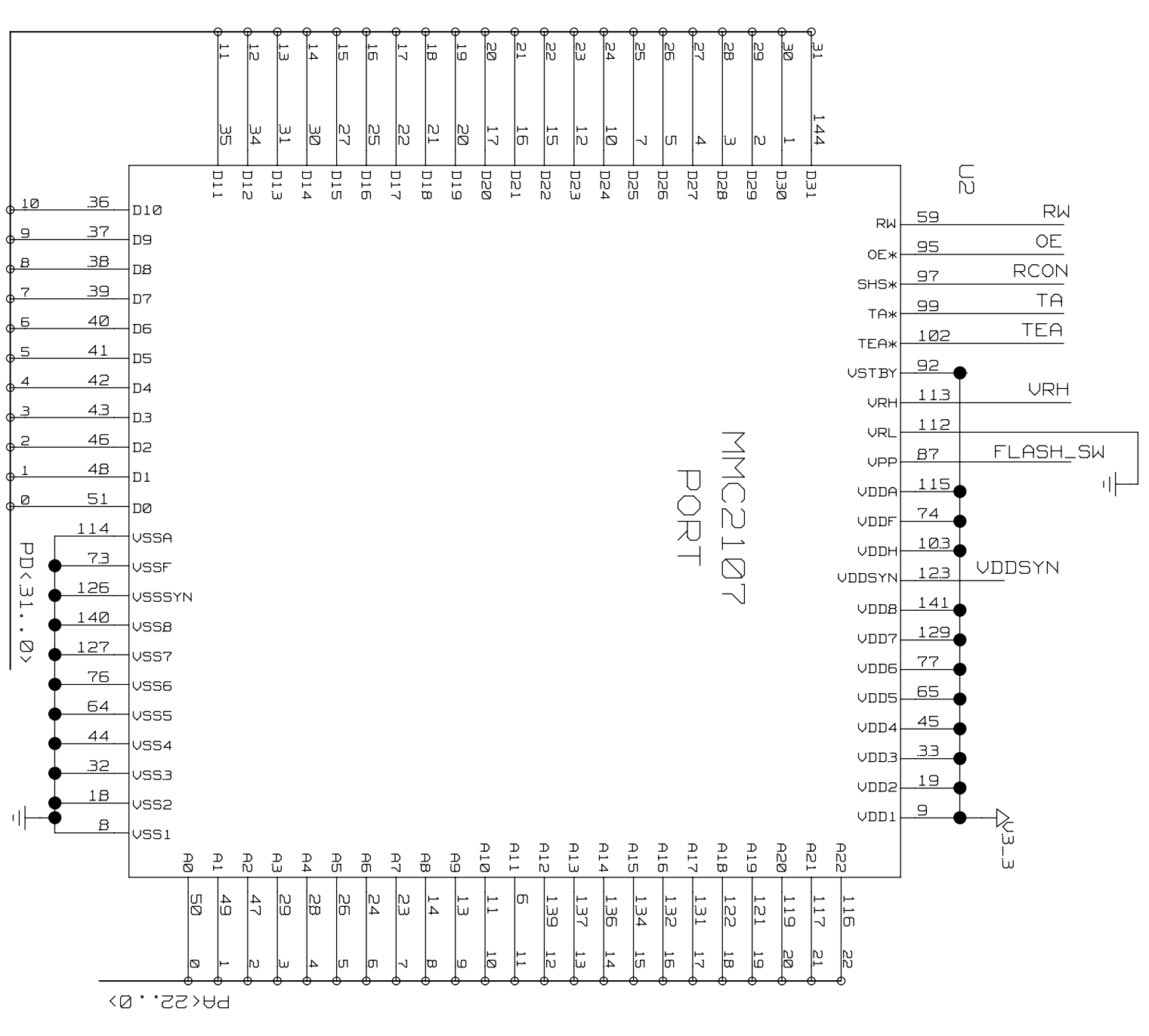
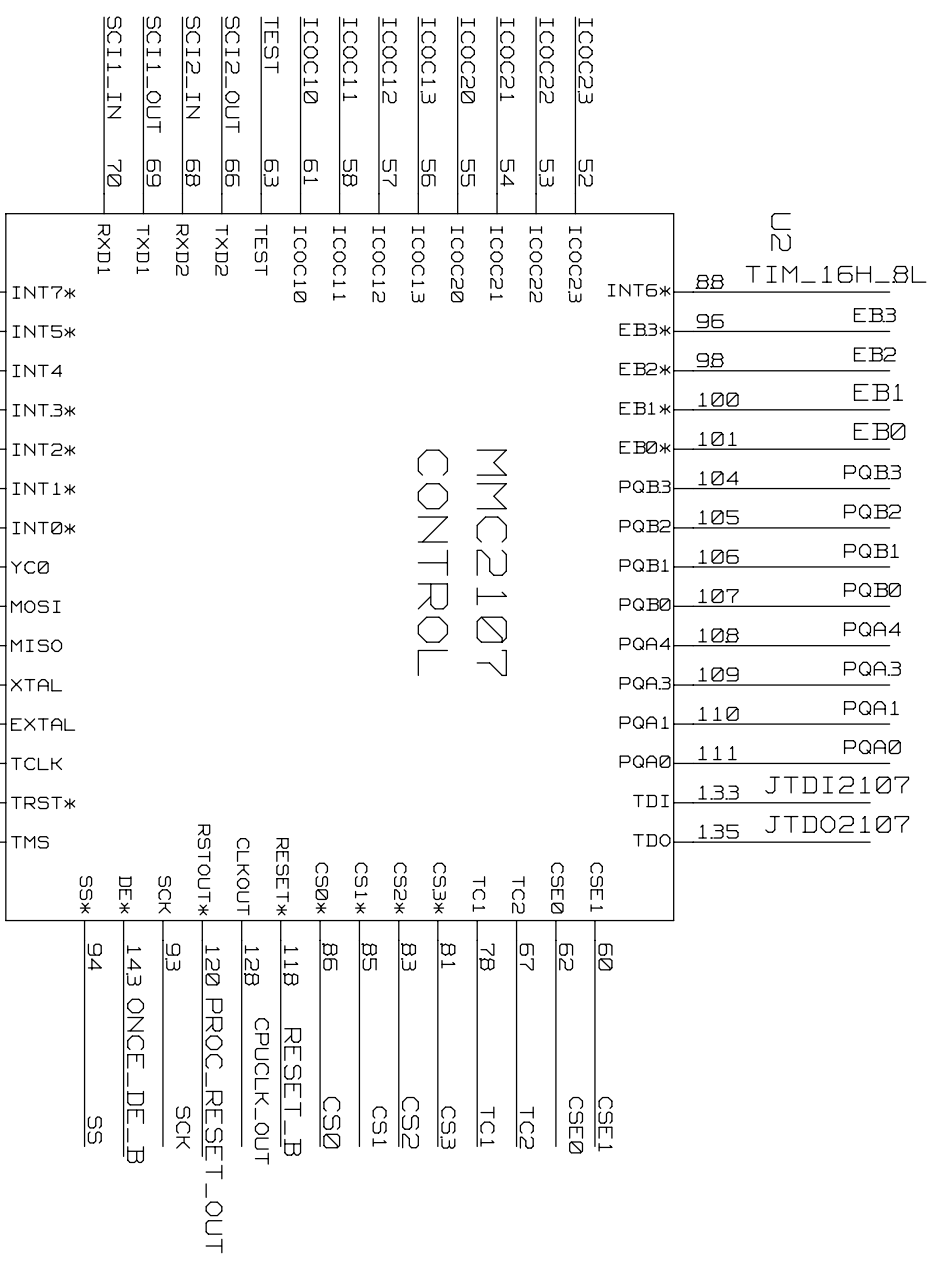
PROCESSOR DEBUG CONFIGURATION (ONCE)



TITLE:	DS26502DK01B0	DATE:	041205
ENGINEER:	STEVE SCULLY	PAGE:	9 / 14

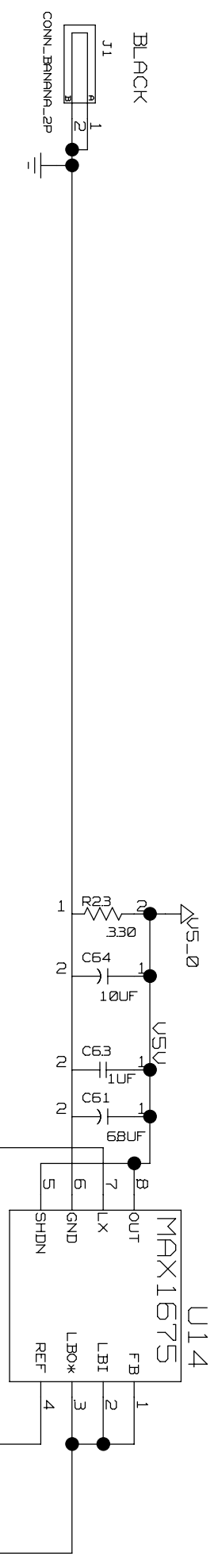
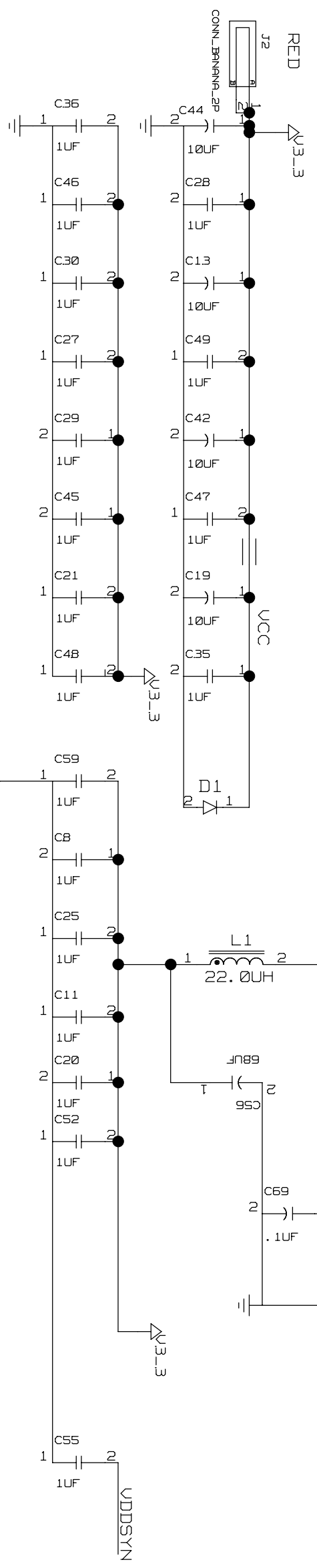
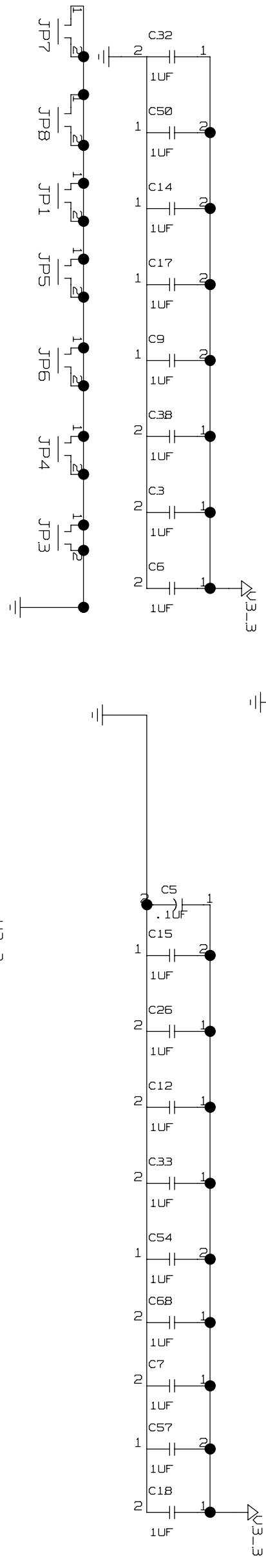
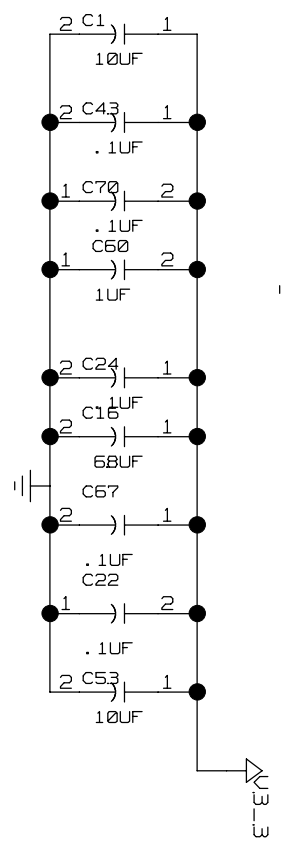
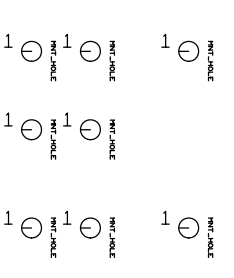


TITLE:	DS26502DK01B0	DATE:	041205
ENGINEER:	STEVE SCULLY	PAGE:	10/14



TEST-POINTS FOR PROCESSOR

TITLE:	DS26502DK01B0	DATE:	041205
ENGINEER:	STEVE SCULLY	PAGE:	11 / 14



TITLE:	DS26502DK01B0	DATE:	041205
ENGINEER:	STEVE SCULLY	PAGE:	12/14

```

*** Signal Cross-Reference for the entire design ***
400HZ502      4D6<> 5CB<> 2CB<
6312_05C     2A1<> 4D6<>
ADDR502<7..0> 2C4> 4C1 5D4<
BI50502      4A3<> 5B4<> 2CB< 5A2<
BI51502      4A2<> 5B4<> 2CB< 5A3<
BOOT_SEL     7B5<
BT5502       4A2<> 5B4<> 2CB<
CCLKXI       B77<> BC1<
CFG-DINKXI   4B2<> B77<>
CPULCK_OUT   6B5<> 11B5<> 4CB<
CS#502       4A3<> 5B4<> 2CB< 5C2<
CS0          6B5<> 10D3<> 10D6<> 11C5<>
CS1          6C5<> 11C5<>
CS2          4A6<> 6C5<> 11C5<>
CS3          6C5<> 11C5<>
CSE0         6C5<> 11C5<>
CSEL         6C5<> 11C5<>
DAT502<7..0> 2C4> 5C2> 4C4
DINDEXI      B77<> BB1<
E1_05C       2B2<> 4D6<>
EB0          4B5<> 6D7<> 10D7<> 11D7<>
EB1          4B5<> 6D7<> 10D3<> 11D7<>
EB2          6D7<> 11D7<>
EB3          6D7<> 11D7<>
EXT_05C      4D2<>
FLASH_SM     7D2<> 6D2< 11D3<
IC0C10       6B8<> 11B8<>
IC0C11       6B8<> 11CB<>
IC0C12       6CB<> 11CB<>
IC0C13       6CB<> 11CB<>
IC0C20       6CB<> 11CB<>
IC0C21       6CB<> 11CB<>
IC0C22       6CB<> 11CB<>
IC0C23       6CB<> 11CB<>
INT#502      2CB> 4B2<> 5B4<> 5B2<
JTAGTCK      6A6<> B77<> 9B4<> 9C3<> 11A6<>
                2B8< BC1<
                6A6<> B77<> 9B4<> 9C2<> 11A6<>
                2CB< BC1<
                9B4<> 2B8< 5C2<
                6D6<> 9B5<> 9C3<> 11D6<>
                9B5<> BC2<
                2B8> 9B4<>
                6D6<> 9C3<> 9C5<> 11D6<>
                B85<> 9C5<>
                B77<> BC1>
                9C4<> 2B8<
                5C7<> 2CB< 4A3< 5C2<
                4A3<>
                4A6<> 6A6<> 11A7<>
                4A6<> 6A6<> 11A7<>
                4A6<> 6D3<> 10D3<> 10D7<> 11D3<>
                6B5<> 9B2<> 11B5<>
                6A6<> 9B2<> 11A6<>
                6A6<> 9D5<> 11A6<>
                4C4
                6B1> 11A1>
                PA<17..1> 10B4 10B7
                PD<31..0> 6A2> 11A2>
                PD<23..16> 10B2>
                PD<31..16> 4B8 4B8
                PD<31..24> 10B5>
                PLL_CLK502 4D6<> 5CB<> 2C4<
                POA0     6D6<> 11D6<>
                POA1     6D6<> 11D6<>
                POA3     6D6<> 11D7<>
                POA4     6D6<> 11D7<>
                POB0     6D6<> 11D7<>
                POB1     6D7<> 11D7<>
                POB2     6D7<> 11D7<>
                POB3     6D7<> 11D7<>
                PROC_RESET_OUT 4D6<> 6B5<> 11B5<>
                PRT1_IN  9A8<> 9B8<
                PRT1_OUT 9A8<> 9B8>
                RA15S02 2B4> 5C7<> 5B8<

```

```

RCLK502      5B8<> 2C4<
RCON         6D3<> 11D3<> 7B8<
RD#502      4A3<> 5B4<> 2D8< 5C2<
RESET_B     6B5<> 9C3<> 11B5<> 7A6<
RESET_XI    7A7<> B77<> BC1<
RLOF502     2B4> 5C7<> 5B8<
RLOS502     2B4> 5C7<> 5B8<
RRING502    2D8< 3B7<
RERS502     4B1<> 5B8<> 2C4<
RS_BK502    4D6<> 5B8<> 2CB<
RTIPS02     2D8< 3B7<
RUN_KIT_USR 6A7<> 11A7<>
RW          4A6<> 6D3<> 11D3<>
SCI1_IN     6B8<> 9B8> 11B8<>
SCI1_OUT    6B8<> 11B8<> 9B8<
SCI2_IN     6B8<> 11B8<>
SCI2_OUT    6B8<> 11B8<>
SCK         4A6<> 6B5<> 11B5<>
SS          4A5<> 6B5<> 11B5<>
T1_05C     2D2<> 4D6<>
TA          4A6<> 6D3<> 11D3<>
TC1        6C5<> 11C5<>
TC2        6C5<> 11C5<>
TCLKS02    2CB< 4A3< 5B2<
TCLKS02XI  4A3<>
TCSS1502   5CB<> 2C4<
TCSS1502   2CB<> 4D3<>
TEA        6D3<> 11D3<>
TEST       6B8<> 11B8<>
THZ502     4A3<> 2CB< 5C2<
TIM_1BH_BL 6D7<> 11D8<>
TIM_INTERRUPT 4B1> 6A7<> 7A4<> 11A7<>
TIM_STATUS  6A7<> 7B4<> 11A7<>
TMODE1502  4D3<> 2CB<
TMODE2502  4D3<> 2CB<
TNEG0502   2C4> 5CB<>
TPOS0502   2B4> 5CB<>
TRINGS02   2D4> 3CB<
TSERS02    4B1<> 2CB<
TSTR502    5D8<> 2CB< 5B2<
TS_BK_4502 4A3<> 2CB< 5B2<
TTIPS02    2D4> 3CB<
USER_IN1   6A7<> 7C3<> 11A7<>
USER_IN2   6A7<> 7C3<> 11A7<>
USER_IN3   7C3<>
USER_IN4   7C3<>
USER_LED1  6A7<> 11A8<> 7A4<
USER_LED2  6A7<> 11A7<> 7A4<
V2_5XI     8D6<> 8A8<
VSU        12D4<>
VDD5YN     6D2< 11D2< 12C1<
WR#502     6D3< 11D3<
XTRL       4A3<> 5B4<> 2CB< 5B2<
X_INITXI   6A6<> 9C5<> 11A7<>
YCO        4A2<> B77<>
                6A7<> 11A7<>

```

TITLE:	DS26502DK01B0	DATE:	041205
ENGINEER:	STEVE SCULLY	PAGE:	13/14

\*\*\* Part Cross-Reference for the entire design \*\*\*

C1	CAP1	12A5
C2	CAP1	BCB
C3	CAP	12B5
C4	CAP	3D5
C5	CAP1	12B3
C6	CAP	12B5
C7	CAP	12B1
C8	CAP	12B4
C9	CAP	12B5
C10	CAP1	5D8
C11	CAP	12B3
C12	CAP	12B2
C13	CAP	12C6
C14	CAP	12B5
C15	CAP	12B3
C16	CAP1	12A4
C17	CAP	12B6
C18	CAP	12B1
C19	CAP	12C5
C20	CAP	12B3
C21	CAP	12B5
C22	CAP1	12A4
C23	CAP1	BC5
C24	CAP1	12A4
C25	CAP	12B3
C26	CAP	12B3
C27	CAP	12B5
C28	CAP	12C6
C29	CAP	12B5
C30	CAP	12B6
C31	CAP1	BC8
C32	CAP	12B7
C33	CAP	12B2
C34	CAP1	3A6
C35	CAP	12C4
C36	CAP	12B7
C37	CAP1	BC5
C38	CAP	12B5
C39	CAP1	BC6
C40	CAP1	BC6
C41	CAP1	BC8
C42	CAP	12C5
C43	CAP1	12A5
C44	CAP	12C7
C45	CAP	12B5
C46	CAP	12B5
C47	CAP	12C5
C48	CAP	12B4
C49	CAP	12C6
C50	CAP	12B6
C51	CAP1	BC7
C52	CAP	12B3
C53	CAP1	12A3
C54	CAP	12B2
C55	CAP	12B1
C56	CAP	12C3
C57	CAP	12B1
C58	CAP1	4D1
C59	CAP	12B4
C60	CAP1	12A4
C61	CAP	12D3
C62	CAP1	2A2
C63	CAP	12D4
C64	CAP	12D4
C65	CAP1	2D3
C66	CAP1	2B3
C67	CAP1	12A4
C68	CAP	12B2
C69	CAP1	12C2
C70	CAP1	12A5
D1	DIODE	12C4
DS1	LED	7A3
DS2	LED	7A3
DS3	LED	7B3
DS4	LED	7D1

DS5	LED	4B1
DS6	LED	5B7
DS7	LED	5B7
DS8	LED	5B7
DS9	LED	7B3
DS10	LED2	7B3
J1	CONN_BANANA_2P	12D7
J2	CONN_BANANA_2P	12C7
J3	CONN_16P	9B5
J4	CONN_D50P	9A7
J5	CONN_16P	5D1
J6	CONN_16P	5B3
J7	CONN_16P	5D3
J8	CONN_16P	5C7
J9	CONN_R748	3B4
J10	CONN_16P	3D3
J11	CONN_16P	3A4
J12	CONN_BANTAM_IPC	3C2
J13	CONN_BANTAM	3B2
J14	CONN_16P	12B5
J15	CONN_16P	9C2
J16	CONN_16P	12B5
J17	CONN_16P	12B5
J18	CONN_16P	12B5
J19	CONN_16P	12B5
J20	CONN_16P	12B5
J21	CONN_16P	12B5
J22	CONN_16P	12B5
J23	CONN_16P	12B5
J24	CONN_16P	12B5
J25	CONN_16P	12B5
J26	CONN_16P	12B5
J27	CONN_16P	12B5
J28	CONN_16P	12B5
J29	CONN_16P	12B5
J30	CONN_16P	12B5
J31	CONN_16P	12B5
J32	CONN_16P	12B5
J33	CONN_16P	12B5
J34	CONN_16P	12B5
J35	CONN_16P	12B5
J36	CONN_16P	12B5
J37	CONN_16P	12B5
J38	CONN_16P	12B5
J39	CONN_16P	12B5
J40	CONN_16P	12B5
J41	CONN_16P	12B5
J42	CONN_16P	12B5
J43	CONN_16P	12B5
J44	CONN_16P	12B5
J45	CONN_16P	12B5
J46	CONN_16P	12B5
J47	CONN_16P	12B5
J48	CONN_16P	12B5
J49	CONN_16P	12B5
J50	CONN_16P	12B5
J51	CONN_16P	12B5
J52	CONN_16P	12B5
J53	CONN_16P	12B5
J54	CONN_16P	12B5
J55	CONN_16P	12B5
J56	CONN_16P	12B5
J57	CONN_16P	12B5
J58	CONN_16P	12B5
J59	CONN_16P	12B5
J60	CONN_16P	12B5
J61	CONN_16P	12B5
J62	CONN_16P	12B5
J63	CONN_16P	12B5
J64	CONN_16P	12B5
J65	CONN_16P	12B5
J66	CONN_16P	12B5
J67	CONN_16P	12B5
J68	CONN_16P	12B5
J69	CONN_16P	12B5
J70	CONN_16P	12B5
J71	CONN_16P	12B5
J72	CONN_16P	12B5
J73	CONN_16P	12B5
J74	CONN_16P	12B5
J75	CONN_16P	12B5
J76	CONN_16P	12B5
J77	CONN_16P	12B5
J78	CONN_16P	12B5
J79	CONN_16P	12B5
J80	CONN_16P	12B5
J81	CONN_16P	12B5
J82	CONN_16P	12B5
J83	CONN_16P	12B5
J84	CONN_16P	12B5
J85	CONN_16P	12B5
J86	CONN_16P	12B5
J87	CONN_16P	12B5
J88	CONN_16P	12B5
J89	CONN_16P	12B5
J90	CONN_16P	12B5
J91	CONN_16P	12B5
J92	CONN_16P	12B5
J93	CONN_16P	12B5
J94	CONN_16P	12B5
J95	CONN_16P	12B5
J96	CONN_16P	12B5
J97	CONN_16P	12B5
J98	CONN_16P	12B5
J99	CONN_16P	12B5
J100	CONN_16P	12B5
J101	CONN_16P	12B5
J102	CONN_16P	12B5
J103	CONN_16P	12B5
J104	CONN_16P	12B5
J105	CONN_16P	12B5
J106	CONN_16P	12B5
J107	CONN_16P	12B5
J108	CONN_16P	12B5
J109	CONN_16P	12B5
J110	CONN_16P	12B5
J111	CONN_16P	12B5
J112	CONN_16P	12B5
J113	CONN_16P	12B5
J114	CONN_16P	12B5
J115	CONN_16P	12B5
J116	CONN_16P	12B5
J117	CONN_16P	12B5
J118	CONN_16P	12B5
J119	CONN_16P	12B5
J120	CONN_16P	12B5
J121	CONN_16P	12B5
J122	CONN_16P	12B5
J123	CONN_16P	12B5
J124	CONN_16P	12B5
J125	CONN_16P	12B5
J126	CONN_16P	12B5
J127	CONN_16P	12B5
J128	CONN_16P	12B5
J129	CONN_16P	12B5
J130	CONN_16P	12B5
J131	CONN_16P	12B5
J132	CONN_16P	12B5
J133	CONN_16P	12B5
J134	CONN_16P	12B5
J135	CONN_16P	12B5
J136	CONN_16P	12B5
J137	CONN_16P	12B5
J138	CONN_16P	12B5
J139	CONN_16P	12B5
J140	CONN_16P	12B5
J141	CONN_16P	12B5
J142	CONN_16P	12B5
J143	CONN_16P	12B5
J144	CONN_16P	12B5
J145	CONN_16P	12B5
J146	CONN_16P	12B5
J147	CONN_16P	12B5
J148	CONN_16P	12B5
J149	CONN_16P	12B5
J150	CONN_16P	12B5
J151	CONN_16P	12B5
J152	CONN_16P	12B5
J153	CONN_16P	12B5
J154	CONN_16P	12B5
J155	CONN_16P	12B5
J156	CONN_16P	12B5
J157	CONN_16P	12B5
J158	CONN_16P	12B5
J159	CONN_16P	12B5
J160	CONN_16P	12B5
J161	CONN_16P	12B5
J162	CONN_16P	12B5
J163	CONN_16P	12B5
J164	CONN_16P	12B5
J165	CONN_16P	12B5
J166	CONN_16P	12B5
J167	CONN_16P	12B5
J168	CONN_16P	12B5
J169	CONN_16P	12B5
J170	CONN_16P	12B5
J171	CONN_16P	12B5
J172	CONN_16P	12B5
J173	CONN_16P	12B5
J174	CONN_16P	12B5
J175	CONN_16P	12B5
J176	CONN_16P	12B5
J177	CONN_16P	12B5
J178	CONN_16P	12B5
J179	CONN_16P	12B5
J180	CONN_16P	12B5
J181	CONN_16P	12B5
J182	CONN_16P	12B5
J183	CONN_16P	12B5
J184	CONN_16P	12B5
J185	CONN_16P	12B5
J186	CONN_16P	12B5
J187	CONN_16P	12B5
J188	CONN_16P	12B5
J189	CONN_16P	12B5
J190	CONN_16P	12B5
J191	CONN_16P	12B5
J192	CONN_16P	12B5
J193	CONN_16P	12B5
J194	CONN_16P	12B5
J195	CONN_16P	12B5
J196	CONN_16P	12B5
J197	CONN_16P	12B5
J198	CONN_16P	12B5
J199	CONN_16P	12B5
J200	CONN_16P	12B5
J201	CONN_16P	12B5
J202	CONN_16P	12B5
J203	CONN_16P	12B5
J204	CONN_16P	12B5
J205	CONN_16P	12B5
J206	CONN_16P	12B5
J207	CONN_16P	12B5
J208	CONN_16P	12B5
J209	CONN_16P	12B5
J210	CONN_16P	12B5
J211	CONN_16P	12B5
J212	CONN_16P	12B5
J213	CONN_16P	12B5
J214	CONN_16P	12B5
J215	CONN_16P	12B5
J216	CONN_16P	12B5
J217	CONN_16P	12B5
J218	CONN_16P	12B5
J219	CONN_16P	12B5
J220	CONN_16P	12B5
J221	CONN_16P	12B5
J222	CONN_16P	12B5
J223	CONN_16P	12B5
J224	CONN_16P	12B5
J225	CONN_16P	12B5
J226	CONN_16P	12B5
J227	CONN_16P	12B5
J228	CONN_16P	12B5
J229	CONN_16P	12B5
J230	CONN_16P	12B5
J231	CONN_16P	12B5
J232	CONN_16P	12B5
J233	CONN_16P	12B5
J234	CONN_16P	12B5
J235	CONN_16P	12B5
J236	CONN_16P	12B5
J237	CONN_16P	12B5
J238	CONN_16P	12B5
J239	CONN_16P	12B5
J240	CONN_16P	12B5
J241	CONN_16P	12B5
J242	CONN_16P	12B5
J243	CONN_16P	12B5
J244	CONN_16P	12B5
J245	CONN_16P	12B5
J246	CONN_16P	12B5
J247	CONN_16P	12B5
J248	CONN_16P	12B5
J249	CONN_16P	12B5
J250	CONN_16P	12B5
J251	CONN_16P	12B5
J252	CONN_16P	12B5
J253	CONN_16P	12B5
J254	CONN_16P	12B5
J255	CONN_16P	12B5
J256	CONN_16P	12B5
J257	CONN_16P	12B5
J258	CONN_16P	12B5
J259	CONN_16P	12B5
J260	CONN_16P	12B5
J261	CONN_16P	12B5
J262	CONN_16P	12B5
J263	CONN_16P	12B5
J264	CONN_16P	12B5
J265	CONN_16P	12B5
J266	CONN_16P	12B5
J267	CONN_16P	12B5
J268	CONN_16P	12B5
J269	CONN_16P	12B5
J270	CONN_16P	12B5
J271	CONN_16P	12B5
J272	CONN_16P	12B5
J273	CONN_16P	12B5
J274	CONN_16P	12B5
J275	CONN_16P	12B5
J276	CONN_16P	12B5
J277	CONN_16P	12B5
J278	CONN_16P	12B5
J279	CONN_16P	12B5
J280	CONN_16P	12B5
J281	CONN_16P	12B5
J282	CONN_16P	12B5
J283	CONN_16P	12B5
J284	CONN_16P	12B5
J285	CONN_16P	12B5
J286	CONN_16P	12B5
J287	CONN_16P	12B5
J288	CONN_16P	12B5
J289	CONN_16P	12B5
J290	CONN_16P	12B5
J291	CONN_16P	12B5
J292	CONN_16P	12B5
J293	CONN_16P	12B5
J294	CONN_16P	12B5
J295	CONN_16P	12B5
J296	CONN_16P	12B5
J297	CONN_16P	12B5
J298	CONN_16P	12B5
J299	CONN_16P	12B5
J300	CONN_16P	12B5
J301	CONN_16P	12B5
J302	CONN_16P	12B5
J303	CONN_16P	12B5
J304	CONN_16P	12B5
J305	CONN_16P	12B5
J306	CONN_16P	12B5
J307	CONN_16P	12B5
J308	CONN_16P	12B5
J309	CONN_16P	12B5
J310	CONN_16P	12B5
J311	CONN_16P	12B5
J312	CONN_16P	12B5
J313	CONN_16P	12B5
J314	CONN_16P	12B5
J315	CONN_16P	12B5
J316	CONN_16P	12B5
J317	CONN_16P	12B5
J318		